



**THE MOST  
TRUSTED  
OUTDOOR  
STOVES**

# MULTI PASS SERIES

OWNER'S MANUAL  
SAVE THESE INSTRUCTIONS

INSTALLATION, OPERATION & MAINTENANCE | REVISED 7/17/23



2716 CRESCENT DR | PO BOX 1237  
INTERNATIONAL FALLS, MN 56649  
866-361-7355 | WWW.CROWNROYALSTOVES.COM



UL 2523-2022  
AND CSA B366.1



## PROTECT YOUR INVESTMENT

### COMPLETE YOUR WARRANTY ONLINE TODAY

Greentech Manufacturing Inc. offers to the original owner from date of purchase a limited twenty (20) year warranty. **To validate this warranty, without exception, you must:**

1. Complete the online warranty form, accessible by the QR code below or at [www.crownroyalstoves.com/warranty-registration](http://www.crownroyalstoves.com/warranty-registration)
2. Perform yearly water samples (information below)

*If, for any reason, you are unable to fill out your stove registration online please call us at 866-361-7355 and we will send you a warranty registration form.*

## YEARLY WATER TESTS REQUIRED FOR WARRANTY

### SIGN UP FOR REMINDERS

Purchaser must use Crown Royal Stove's approved chemical treatment **and** mail water samples to our third party testing facility within 30 days of purchase. **Warranty is void if our chemical is not used and the boiler water is not tested at least annually.** You will get notification of test results by email (if listed) or mail within 30 days. If you are not notified within 30 days you need to contact us. If test results come back unsatisfactory, you are required to follow the instructions and retest within 30 days. If you add water to your system for any reason add ½ ounce of chemical per gallon of water and send a new sample of water to the testing laboratory. For further information visit [www.crownroyalstoves.com/water-treatment](http://www.crownroyalstoves.com/water-treatment)

### ONLINE WARRANTY



### WATER TEST REMINDERS



## TABLE OF CONTENTS

|  |           |
|--|-----------|
| <b>INTRODUCTIONS/SPECIFICATIONS .....</b>          | <b>4</b>  |
| <b>BEST BURN PRACTICES.....</b>                    | <b>6</b>  |
| <b>SAFETY INSTRUCTIONS &amp; PRECAUTIONS .....</b> | <b>7</b>  |
| <b>PRECAUTIONARY LABELING .....</b>                | <b>8</b>  |
| <b>INSTALLATION .....</b>                          | <b>9</b>  |
| LOCATION & CLEARANCES.....                         | 9         |
| GROUND ROD.....                                    | 10        |
| FOUNDATION .....                                   | 10        |
| FURNACE FLOOR PLANS .....                          | 11        |
| CHIMNEY REQUIREMENTS .....                         | 13        |
| TRANSFER LINES .....                               | 14        |
| WATER & ELECTRICAL CONNECTIONS .....               | 15        |
| PIPING INSIDE BUILDINGS.....                       | 15        |
| WIRING INSIDE BUILDINGS .....                      | 15        |
| ELECTRICAL REQUIREMENTS .....                      | 15        |
| EXISTING HOT WATER HEAT .....                      | 16        |
| WIRE DIAGRAM FOR GAS BOILER .....                  | 17        |
| DOMESTIC HOT WATER & FORCED AIR.....               | 18        |
| BRAZED PLATE .....                                 | 19        |
| WATER TO AIR .....                                 | 20        |
| STOVE COMPONENTS.....                              | 21        |
| CONTROL PANEL.....                                 | 23        |
| <b>START-UP &amp; OPERATION .....</b>              | <b>24</b> |
| FILLING WATER JACKET .....                         | 24        |
| FIRING THE FURNACE .....                           | 24        |
| DAILY FUELING & FIREING .....                      | 25        |
| SAFETY.....  | 25        |
| POWER FAILURE .....                                | 25        |
| STARTING A COAL FIRE .....                         | 26        |
| <b>MAINTENANCE .....</b>                           | <b>27</b> |
| DAILY, WEEKLY, MONTHLY .....                       | 27        |
| ANNUALLY .....                                     | 27        |
| OFF SEASON.....                                    | 27        |
| <b>ASH ROTATION &amp; DISPOSAL .....</b>           | <b>28</b> |
| <b>CREOSOTE FORMATION &amp; REMOVAL .....</b>      | <b>28</b> |
| <b>RUNAWAY CHIMNEY FIRE.....</b>                   | <b>28</b> |
| <b>TROUBLESHOOTING .....</b>                       | <b>29</b> |
| <b>ELECTRICAL TROUBLESHOOTING .....</b>            | <b>30</b> |
| <b>WIRING DIAGRAMS .....</b>                       | <b>31</b> |
| <b>AUTHORIZED FURNACE TREATMENT .....</b>          | <b>33</b> |
| WATER TREATMENT PROCEDURE .....                    | 34        |
| START-UP DOSAGES .....                             | 34        |
| SYSTEM TESTING .....                               | 35        |
| EMERGENCY PROCEDURES.....                          | 36        |
| <b>WARRANTY &amp; CLAIM FORMS.....</b>             | <b>37</b> |
| <b>ELECTRONIC CONTROL INSTALLATION MANUAL.....</b> | <b>41</b> |

Greentech Manufacturing would like to thank you for your recent purchase of a Crown Royal Stove. We sincerely appreciate the trust you have placed in us and we look forward to continuing to serve you. We know that you will be pleased with our continued commitment to your satisfaction while you enjoy the benefits of heating with a Crown Royal Stove. Crown Royal Stoves are manufactured with quality workmanship and designed to offer you value now and years to come. We are so confident in the quality of our stoves that each Crown Royal Stove comes with a 20 Year Limited Warranty.

To ensure maximum benefits from your furnace, read complete manual prior to using or installing your furnace.

Always keep this manual for future references.

### **Crown Royal Stoves – Multi Pass Series**

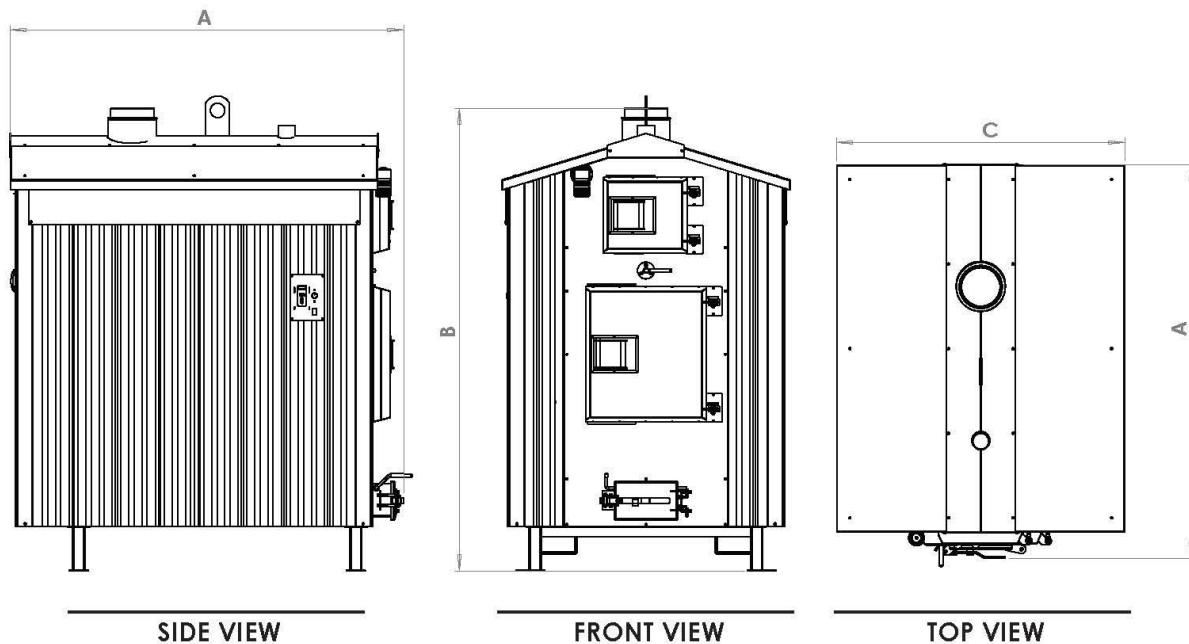
The Multi Pass Series is manufactured with triple pass heat exchangers and water filled heat exchanger tubes that produce the highest efficiencies of a conventional furnace; the bottom line is you will burn less. In addition to these features, it is equipped with a turbo draft fan that produces secondary combustion along with shaker grates and a removable ash pan for quick and easy cleaning. For the best corrosion resistance and heat transfer possible, the firebox and outer drum are constructed out of 409 Titanium Enhanced Stainless Steel.

The Multi Pass Series furnaces are designed to be located next to your fuel storage for convenience and are normally filled once or twice a day, depending on the temperature outside. Our Multi Pass Series furnaces are often used to heat homes, garages, shops, barns, businesses, greenhouses, swimming pools, spas, domestic hot water, radiant in-floor heat and snow melt applications.

**MULTI PASS STOVE SPECIFICATIONS**

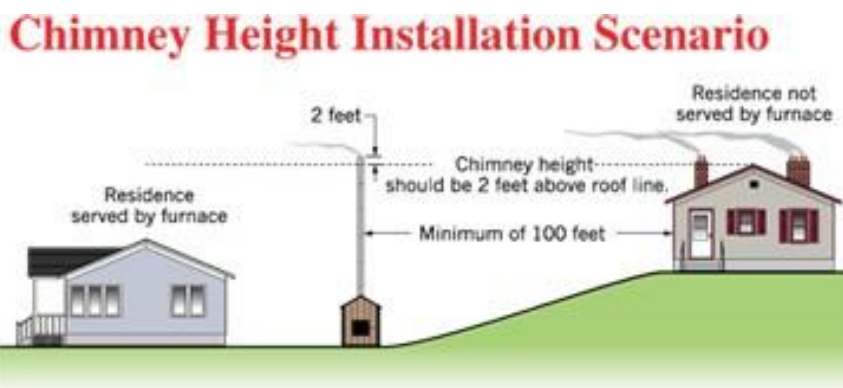
|                           | 7200MP      | 7300MP      | 7350MP      | 7400MP       | 7500MP        |
|---------------------------|-------------|-------------|-------------|--------------|---------------|
| Estimated Btu's*          | 165,000     | 275,000     | 350,000     | 400,000      | 750,000       |
| Heating Capacity          | 2,000-3,000 | 4,000-6,000 | 6,000-8,000 | 8,000-10,000 | 18,000-20,000 |
| Width (C on diagram)      | 49"         | 53"         | 55"         | 61"          | 89"           |
| Length (A on diagram)     | 61"         | 70"         | 77"         | 81"          | 102"          |
| Height (B on diagram)     | 87"         | 90"         | 96"         | 100"         | 110"          |
| Firebox Length            | 30"         | 38"         | 44"         | 48"          | 60"           |
| Approximate Weight        | 1,450 lbs   | 1,800 lbs   | 2,050 lbs   | 2,500 lbs    | 4,000 lbs     |
| Chimney Size              | 6"          | 6"          | 6"          | 8"           | 10"           |
| Firebox Door Size (L x H) | 20" x 20"   | 20" x 20"   | 20" x 24"   | 24" x 24"    | 42" x 32"     |
| Supply / Return Size      | (1) 1-1/4"  | (2) 1-1/4"  | (2) 1-1/4"  | (2) 1-1/4"   | (4) 1-1/4"    |
| Water Capacity            | 140 Gallons | 180 Gallons | 260 Gallons | 320 Gallons  | 600 Gallons   |
| Fan Capacity              | 150 CFM     | 150 CFM     | 150 CFM     | 150 CFM      | 300 CFM       |
| Turbo Draft               | 60 CFM      | 60 CFM      | 60 CFM      | 60 CFM       | 60 CFM        |
| Approximate Sq Ft         | 2,000-3,000 | 4,000-6,000 | 6,000-8,000 | 8,000-10,000 | 18,000-20,000 |
| 409 Stainless Steel       | Yes         | Yes         | Yes         | Yes          | Yes           |

*\*Btu's are estimated and will vary with the type of fuel burned. Check and comply with local and state codes on approved fuels. Always comply with regulations associated with your area.*



Learn how to get the best burn possible from your Crown Royal Stoves.

1. **Instructions** - Read and follow all operating instructions supplied by Greentech Manufacturing Inc.
2. **Fuels** - Only burn coal which is the only approved fuel for your Crown Royal Stove. Burning materials not recommended play a major role in visible emissions. Never burn trash, plastics, gasoline, rubber, naphtha, household garbage, materials treated with petroleum products, particle board, railroad ties and pressure treated wood, leaves, paper products or cardboard.
3. **Loading** - Burning coal creates visible emissions. In order to complete the combustion process, there is a minimum amount of space needed. For instance, if a person were to load a relatively small firebox completely and load a larger firebox with the same amount of fuel, with all of the other factors being the same, the larger firebox would burn cleaner. In the smaller firebox, the combustion process does not have enough room to expand, heat up and mix before exiting the firebox (insufficient time, temperature and turbulence). Just because a firebox is large does not mean that it should be filled completely. This large volume is used in part for what happens after it is loaded. Fireboxes should be loaded based on outdoor temperatures, and anticipated heat load required maintaining sufficient levels to ensure the fire doesn't go out before next fill.
4. **Starting** - Never use gasoline, lighter fluids, chemicals or oils.
5. **Furnace Sizing** - The size of a furnace should be large enough to provide sufficient heat without constant reloading. Targeted burn times are around 12 hours; an adequately sized furnace will provide enough heat for 90% of all heating days. Inadequate size of furnace will lead to unattended fires that leave colder fireboxes and relighting will be dirtier because of the flame quenching on the cool firebox walls. A good rule to follow is that if the furnace cannot stay within 20% of its set temperature under regular reloading, then the unit is undersized and a larger furnace is needed.
6. **Operation** - Improper combustion air can be associated with several factors. Air inlet and chimney may be restricted by debris (creosote, ash, etc). A blower starts and stops properly and runs at proper speed. Door seal is in satisfactory condition.
7. **Maintenance** - Excessive ash buildup in grates and frames can cause combustion fan blockage resulting in restricting air flow. Excessive creosote buildup can be a result of restriction air flow from combustion fan, flame baffle or chimney blockage.
8. **Local and State Regulations** - Always remember to comply with all applicable state and local codes.



**DANGER!!!** Do not start fire with chemicals, volatile fluids, rubber, plastics or garbage. Only competent persons with a sound understanding of this heating method should operate this furnace. Improper firing could result in personal injury and/or damage to unit and void warranty. Do not burn garbage, gasoline, drain oil, naphtha, engine oil, railroad ties, particle board, leaves, cardboard or any other flammable liquids.

## SAFETY INSTRUCTIONS & PRECAUTIONS

- All installation and operations must follow federal, provincial, state and local codes for wiring, plumbing and installing chimney.
- All work must be performed by qualified personnel only.
- Read and understand all precautions before operating the furnace.
- Furnace not to be used as a standalone unit. It is recommended that a backup system be in place.
- Retain this manual as long as you own your Crown Royal Stove. Carefully read and follow these directions. Regularly read over this manual to keep you informed.

**DANGER!!!** Do not start fire with chemicals, volatile fluids, rubber, plastics or garbage. Only competent persons with a sound understanding of this heating method should operate this furnace. Improper firing could result in personal injury and/or damage to unit and void warranty. **Do not burn garbage, gasoline, drain oil, naphtha, engine oil, railroad ties, particle board, leaves, cardboard or any other flammable liquids.**

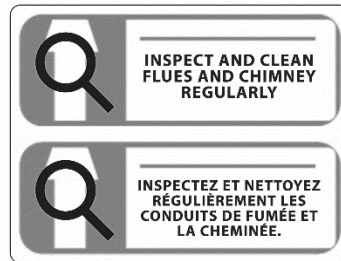
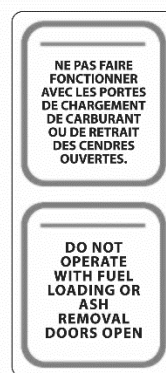
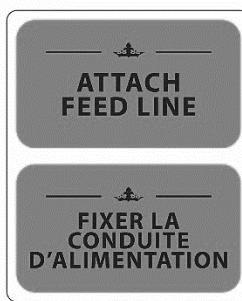
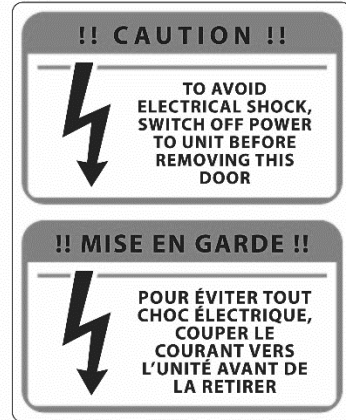
### WARNINGS!!

- All installations and operations of your furnace must follow STATE, PROVINCIAL and LOCAL LAWS pertaining to operations, wiring, plumbing and building codes. The installation must be performed by a qualified installer.
- Only burn coal in this unit. (Check with provincial, state and local regulations that obtain to banned fuels in designated locations)
- Do not install this unit on a combustible surface.
- All models operate at atmospheric pressure. DO NOT obstruct, block or plug the overflow vent tube in any way, which is located on top of the furnace.
- You must open the chimney flue before opening the furnace door.
- This unit cannot be hooked to a chimney already serving another appliance. When installing a chimney that is higher than twelve feet, guide lines must be used.
- This unit must never be pressurized.
- Do not use an automatic stoker with this unit.
- Risk of Fire: Do not operate with fuel loading and/or ash removal doors open. Do not store fuel or other combustible materials within marked installation clearances. Inspect and clean flues and chimney regularly.
- All cover plates, enclosures and guards must be always maintained in place, except during maintenance and servicing.

### CAUTIONS!!!

- Hot Surfaces: Keep children away. Do not touch during operation.
- Do not start or operate furnace without checking heating fluid.
- Check for buried cables and utility lines before digging trench.
- For safety and proper temperature control, keep fuel door closed tightly during operation.
- Do not fire up furnace until filled with water.
- Do not to start the unit during a prolonged power failure.
- Load fuel carefully to avoid injury to hands, fingers and other body parts that may come in contact with the unit's loading door opening.
- Cleaning of the heat exchanger, flue pipe, chimney and draft inducer if used, is especially important at the end of the heating season to minimize corrosion during the summer months caused by accumulated ash.
- When installing the heat exchanger, be sure none of the existing system safety controls are disabled.
- When installing heat exchangers do not tamper with existing controls. Wiring to existing blower can be done with a line voltage or low voltage thermostat.

Please read and follow these precautionary labels that are also found on the outdoor furnace.





## INSTALLATION

All installation and operations must follow federal, provincial, state and local codes for wiring, plumbing, and installing chimney. All work must be performed by qualified personnel only.

### Location

When choosing the location of your furnace you should consider prevailing wind direction, distance from home for refueling and storage, and give consideration for any effect of your neighbors. Check with your homeowner's insurance company to ensure they will approve the location relative to the distance from building and combustibles. Maintain an adequate clearance of buildings and combustibles.

### Minimum Clearances to Combustibles

| Sides     | Front     | Back      | Top       | Chimney Connection |
|-----------|-----------|-----------|-----------|--------------------|
| 36 Inches | 60 Inches | 36 Inches | 12 Inches | 60 Inches          |

- Adhere to minimal clearances to combustibles stated in manual and accordance with local, state, provincial and federal building and fire codes.
- Prior to installation, contact insurance provider to ensure that installation is in compliance to regulations and all terms have been met.

**WARNING!!!** Do not store fuel or other combustible materials within marked installation clearances.

When installing a furnace in a building, outside combustion air is needed. To prevent negative pressure, ensure that there is an adequate source of fresh air to offset the demand of the furnace and other appliances that will draw air from the area they are located. Follow the steps below to prevent negative pressure:

1. Determine the volume of space in the area. This can be calculated by Length (FT) x Width (FT) x Height (FT) = Volume (CF)  
\*Include all open areas not closed off by doors.
2. Determine the air input needs for all servicing appliances then add them together and rounding result to the nearest 1000 BTU per hour.
3. Divide the total volume by the total air input requirements and determine if you have a "Confined" or "Unconfined" area with the following results:
  - a. Results of equal to or greater than 50CF/1000 BTU per Hour = "Unconfined"
  - b. Results of less than 50CF/1000 BTU per Hour = "Confined"

With results of "Confined" space additional source of air is required. On some installations of "Unconfined" spaces where building has unusually tight construction it might be necessary for additional source of air to also be required.

**Ground Rod Installation**

A properly installed ground rod safeguards electrical equipment and prevents electrolysis in your outdoor furnace. Electrolysis is the decomposition of water into oxygen and hydrogen gasses when an electric current passes through the water. Free oxygen in the water tank will promote rust and over time cause leaks and furnace failure.

Installing a ground rod and connecting to furnace:

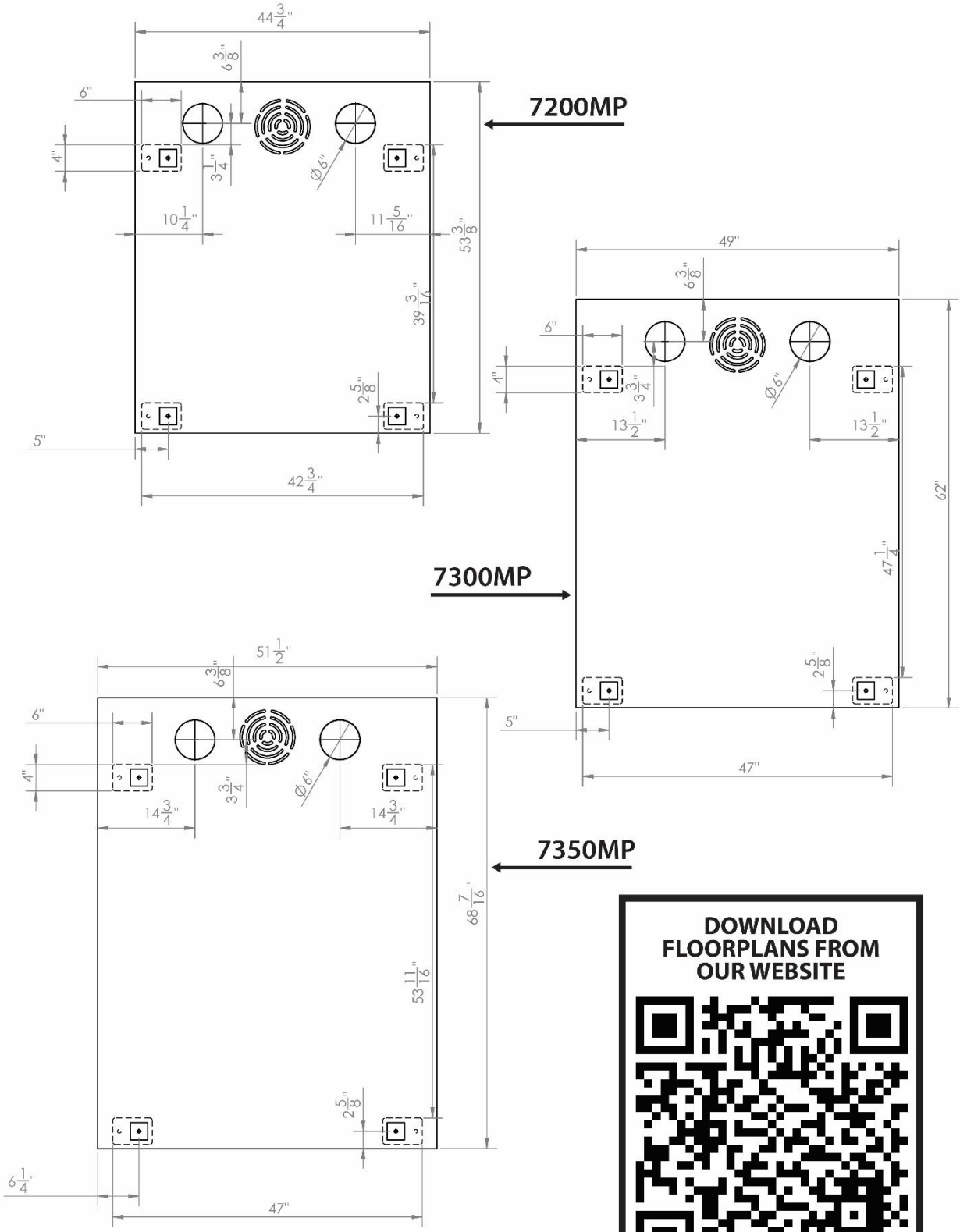
1. Near the furnace leg, drive 8' grounding rod into the ground until it is close to the surface.
2. Install a grounding terminal on the closest stove leg to the grounding rod with self-tapping screws.
3. Secure a ground rod clamp to the grounding rod.
4. Run a ground wire between these two terminals and secure the wire.

**Foundation: Blocks or Concrete Pad**

Inspect the ground conditions that you intend to install your furnace on. If the area is unstable or has a history of staying wet, you may have to improve the soil with gravel as well as raising the elevation. A cement pad of 4" - 6" inches should then be used. The furnace in most cases can be placed on four cement blocks and they should not be less than 24 inches wide, 24 inches long, 4 inches thick. Place your blocks so that the legs will be in the center of them.

For a pad, the width need not be greater than the outside width of furnace. The length of pad should be as long as the outside length dimension and an added length is desirable as a work area at the loading door. A four-foot extension is most commonly used.

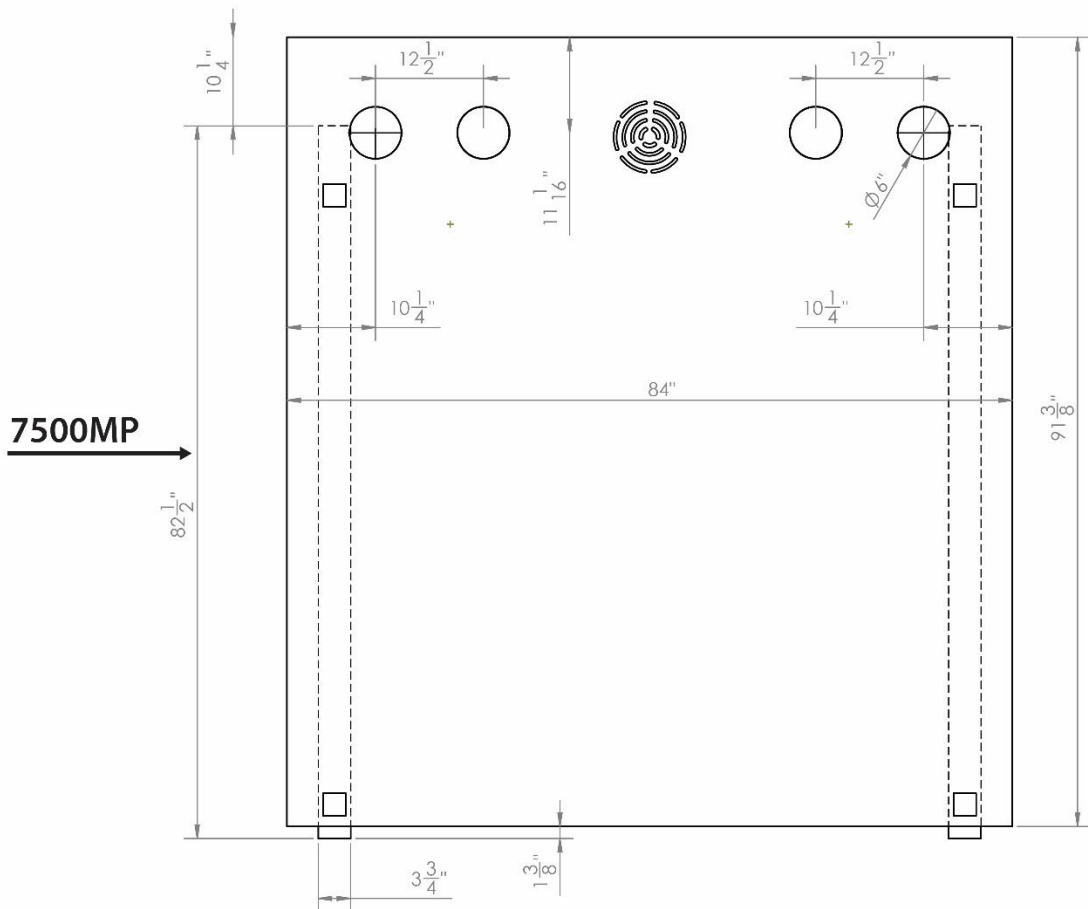
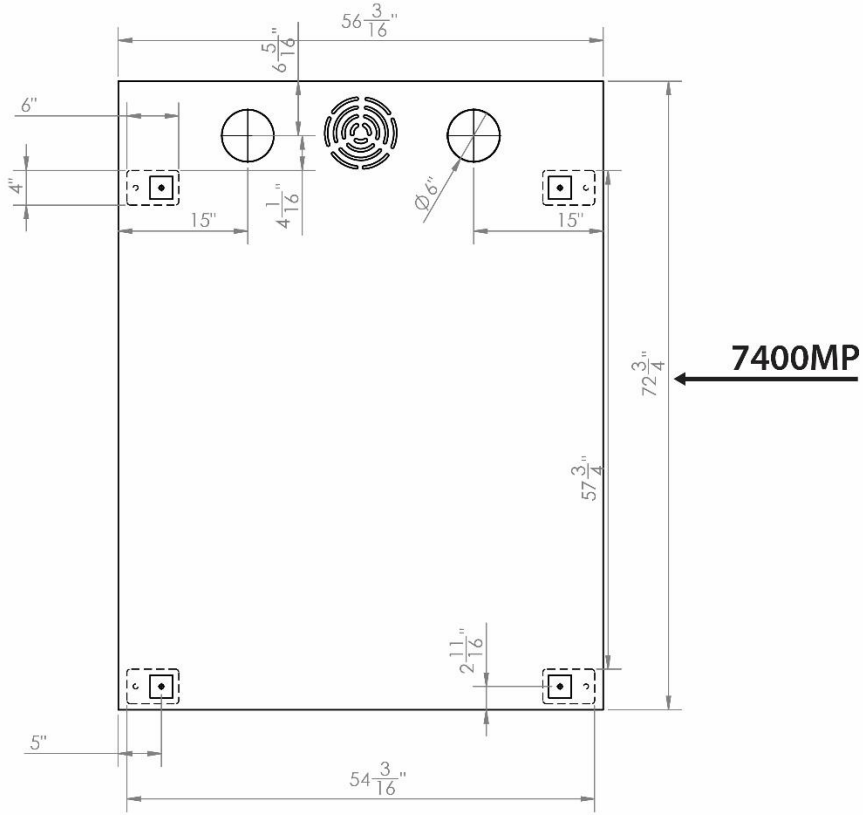
**WARNING!!!** Do not install this unit on a combustible surface.



**DOWNLOAD FLOORPLANS FROM OUR WEBSITE**

A QR code is provided for users to download the floorplans from the website.

# FURNACE FLOOR PLAN



### Chimneys

The size and height all depend on the unit you have purchased and where the unit will be located. If the furnace is located within 300 feet of any residence, then the chimney stack must be at least two (2) feet higher than the peak of the tallest roof. It is recommended that only a double insulated, stainless steel, Class A chimney pipe be used. Contact your local dealer or Greentech Manufacturing, Inc for chimney purchase information.

- Installation of complete chimney flue is required.
- Adhere by local building codes and the National Fire Protection Association Rules No's 31, 54 and 211.
- It is required to use Selkirk Chimney Systems; brand type is UT (Ultra Temp or Galva Temp).
- Selkirk Chimney Systems is a double insulated, stainless steel, Class A Chimney Systems that meets the requirements of UL103 and ULC-S629 and complies with the Chapter 11 of NFPA 211, Standard for chimneys, Fireplaces, Vents and Solid Fuel Burning Appliances.
- Chimney termination caps are required; installation of spark arresters may be needed in high fire risk areas.
- Selkirk chimneys come in various lengths, spanning from eighteen (18) inches to forty-eight (48) inches. Install each section of piping by placing male and female sections together then twisting them to lock sections together. When installing your chimney piping, it is recommended by many chimney suppliers to brace every eight feet. The chimney manufacturer also recommends that the height of the piping does not exceed a total of forty (40) ft.

**WARNING!!!** This unit cannot be hooked to a chimney already serving another appliance.

- When installing the chimney please refer to the manufacturer's recommendations and requirements for adequate clearances.
- Furnaces come standard with the Selkirk brand, 6", 8", or 10" Anchor plate as well as a 12" chimney length.
- Additional chimney components and lengths are available from your local dealer or can be purchased direct from Greentech Manufacturing Inc. (Toll Free 866-361-7355)
- Do not attempt to fabricate your own adapters.
- Do not mix Selkirk Chimney with other manufactured brands.
- Do not use existing chimney that already connects to other appliances.
- A major cause of chimney-related fires is failure to maintain required clearances (air spaces) to combustible material. It is of the utmost importance that the chimney be installed only in accordance with the manufacturers stated instructions. These instructions must be reviewed prior to installation of venting components.
- Inspections of chimney need to be performed at least annually to ensure it is free of any obstructions due to creosote buildup. When necessary, perform cleaning of chimney to prevent chimney fires.

**CAUTION!!!** Hot Surfaces: Keep children away. Do not touch during operation.

**WARNING!!!** Risk of Fire: Do not operate with fuel loading and / or ash removal doors open. Do not store fuel or other combustible materials within marked installation clearances. Inspect and clean flues and chimney regularly.

Underground insulated pipe is a crucial part of your installation. It is designed to transfer hot water from your furnace to your home, garage or shop. Selecting the correct underground pipe depends on several factors such as climate and distance. Choosing a pipe with the least possible heat loss is the most effective way to ensure your furnaces efficiency.

- **Ridged Insulated Underground Tubing** – Ridged insulated pipe manufactured with the highest possible R value ratings.
- **Foam Filled Insulated Underground Tubing** – Designed to respond to intensive environments and climates. Insulated with high quality closed cell polyolefin or polyethylene foam and shelled in a virgin plastic corrugated tile.
- **Foil Wrapped Insulated Underground Tubing** - Competitively priced closed cell polypropylene foil wrapped Insulation and sleeved in Heavy Duty UV protected drain tile.

Make sure your insulated underground tubing is equipped with at least one supply and one return pipe. This pipe should be at least one inch inside dimension; which is rated at 180 degrees F and 100 PSI continuous flow. Pipe should have a construction of polyethylene and an oxygen barrier.

Insulated underground tubing must be without any splices, couplings and joints. Both tubing and piping inside should be one continuous run. Underground insulated tubing needs to be free of damages or punctures that which would allow ground water or soil to come in contact inside insulation and piping. Allowing such contact will cause moisture to seep through the insulated pipe and result in extreme heat loss. Insulated underground tubing must remain water tight or will be required to be replaced.

#### **Installation Requirements:**

- The trench must be 24" deep and 8" - 12" wide. If possible, have a gradual slope in your trench to allow drainage away from lines and out of the trench bottom. Place electrical supply in bottom of trench and cover with 6" of gravel or dirt. At this point a water barrier is required. Several methods are possible, but the most important factor is; if ground water comes in contact with your heating lines, it will be the greatest heat loss to your system. A minimum of R10 insulation value is recommended, and a water-tight vapor barrier such as a continuous poly tube of plastic PVC pipe to encase your insulation is a must. NOTE: If you need to bury lines under an area where vehicles will cross, you should increase the depth of trench to three feet or place planks over the trench in that area to spread the load and reduce the pressure generated on the lines.
- All wiring must conform to local codes. Use an electrical wire rated and approved for underground installations. This wiring can be placed in the same trench below the water lines. Use 12-2 UF wire with ground to provide power to the draft inducer blower, aqua stat, night light, etc. at the stove. This is satisfactory for most applications, but a state certified electrician must be consulted.
- The supply and return tubing and the power wire can be lowered in the trench, brought through the buildings being heated, and extended a minimum of 36" out of the soil where the stove is to be placed. Seal the openings around the tubing where it enters the building and seal the tubing where it extends out of the ground at the location where the stove is to be placed.
- Connections to the furnace are clearly marked. The installation of isolation valves at both ends of the pump is recommended as well as a valve at the return line. This will allow you to shut off water supply for repair or if additional heating components are added to the system. It is recommended that piping used is able to withstand 100 PSI at 180°F and is at least 1" (inch) in diameter. 1 1/4" (Inch) piping is recommended for larger systems. A single junction box at the rear of the furnace is included for your power supply and should be connected by a qualified person.
- A hole large enough to accommodate two lines and insulation is required and attention to sealing this point of entry is very important. Be sure to bring pipes, insulation and vapor barrier completely through wall and seal from both sides.

## Making Water and Electrical Connections at the Stove

- After the stove has been placed on the concrete or pads, remove the panel at the back of the stove.
- The return (cold water) pipe must be connected to the fitting at the upper position and the supply (hot water) at the fitting toward the bottom of the stove. If multi-pole locations are to be heated, tees must be added on both the supply (hot) and return (cold). It is necessary to use brass fittings between the stainless and other metals.
- The stove has been pre-wired at the factory; therefore, it is only necessary to connect the common from the wire from the trench to the common from the stove, neutral to neutral, ground to ground. Ensure that the connections are water tight.
- Return the panel to the back of the stove.

## Piping Inside the Building

It is recommended that piping used is able to withstand 100 PSI at 180°F, and is at least 1" (inch) in diameter. 1 1/4" (Inch) piping is recommended for larger systems.

- For each building, a circulation pump is needed. The pump can be located on the supply side (hot water).
- Before each pump, a filtering device must be installed. This filter will minimize the contaminants in the water and maximize the life of the circulation pump.
- If the central heating system in the building is a forced air furnace, it is important to select the appropriate water to air exchanger. Contact your heating contractor for proper size. The coil is to be installed in the furnace plenum. If there is an air conditioning evaporator coil in the plenum, install the water to air coil after the a/c coil.
- If the central heating system is a hot water boiler system, a water to water heat exchanger is needed. The water from an open system will contaminate the closed system if the waters are mixed together.
- It is advisable to install ball valves, isolation flanges, etc. to make the removal and the replacement components easier.

## Wiring Inside the Building

- The electrical wiring must be done by an experienced HVAC technician to ensure the system will operate as desired and is safe.
- It is recommended that the circulation pump or pumps run continuously.
- The existing forced air circulation blower needs to be wired through the circuit board to a 24-volt wall thermostat which is dedicated for this purpose. The other wall thermostat which is for the forced air (Oil, LP, NG or Electric) is left intact. The new 24-volt wall thermostat will cause the circulation blower to run without the burners coming on. An experienced HVAC technician needs to perform the wiring.
- The electrical for a boiler system is more complicated because the existing boiler wall thermostat is used but the burners on the (Oil, LP, NG or Electric) boiler are not to operate when the water from the water stove is to provide heat. It is necessary to have an experienced HVAC technician wire this configuration.
- If air conditioning is used you must add a relay DPDT to prevent the condenser from turning on when the fan is energized.

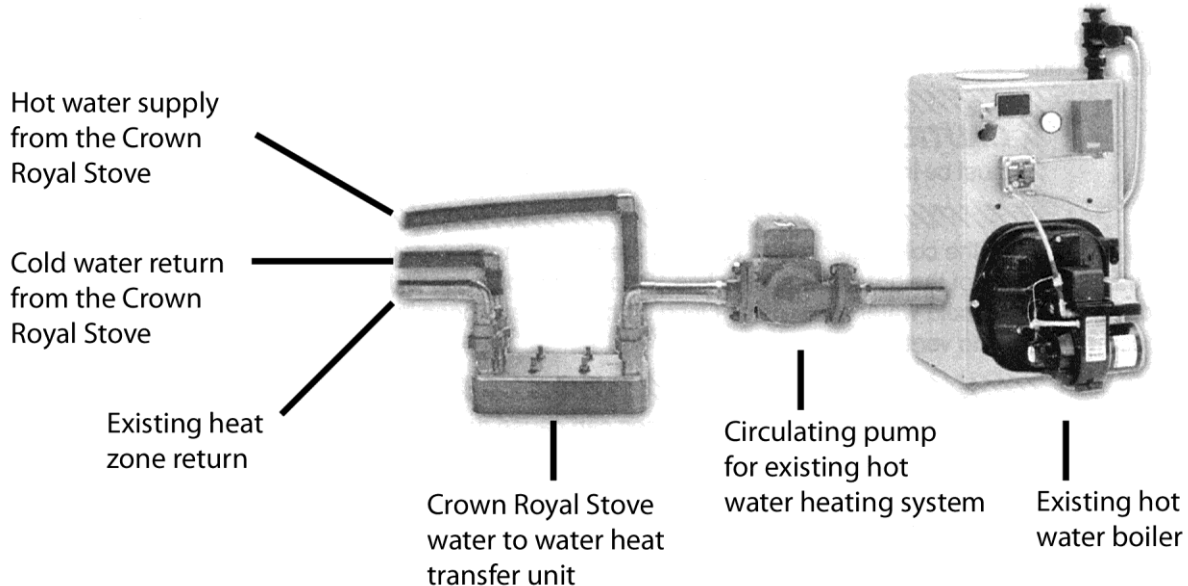
## Electrical Requirements

- Electrical Rating: 120 AV Volts, 6 AMPS, 60 Hz. Wire must be rated and approved for direct burial if it is to be buried in the same trench as the water lines. Boiler power connection box is located at rear of boiler inside back cover. Minimum supply 15 AMPS. Maximum device 15 or 20 AMPS. **USE COPPER CONDUCTORS ONLY.**

## EXISTING HOT WATER HEAT INSTALLATION

**ALL INSTALLATIONS AND OPERATIONS MUST FOLLOW FEDERAL, PROVINCIAL, STATE AND LOCAL CODES FOR WIRING, PLUMBING AND INSTALLING CHIMNEY. ALL WORK MUST BE PERFORMED BY QUALIFIED PERSONNEL ONLY.**

It is recommended that piping used is able to withstand 100 PSI at 180°F, and is at least 1" (inch) in diameter. 1 1/4" (Inch) piping is recommended for larger systems.



The Crown Royal Stove shall be installed without interfering with the normal delivery of heated water from the original boiler.

The Crown Royal Stove shall be installed without affecting the operation of the electrical and mechanical safety controls of the original boiler.

The Crown Royal Stove shall have provisions for preventing, or adequate water capacity within the boiler to prevent damage from loss of circulation due to electrical power failure.

The Crown Royal Stove shall be installed without changing the function of the controls or rewiring the original boiler. A wiring interconnection is permitted. The electrical system of both boilers shall be powered from a single branch circuit without exception.

### **FOR UNITS USED IN CANADA THE FOLLOWING IS RECOMMENDED:**

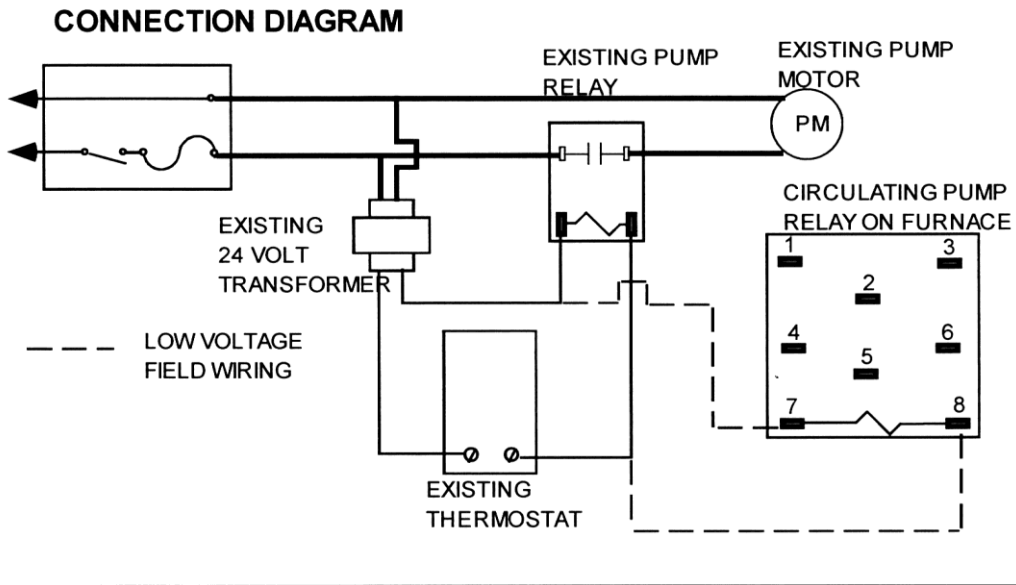
- Operate the existing boiler periodically to ensure that it will operate satisfactorily when needed.
- Do not relocate or bypass any of the safety controls in the existing boiler installation.
- The operation of the existing gas boiler must be verified for acceptable operation before and after installation of the Crown Royal Stove by a gas fitter who is recognized by the regulatory authority.
- Do not connect to any chimney or vent serving a gas appliance.
- Ensure the installation complies with the requirements of CAN/CSA-B365. Any changes to the installation should comply with CSA B139 (for oil-fire), C22.1 (for electric), or CAN/CGA-B149.1 or CAN/CGA-B149.2 (for gas-fired).



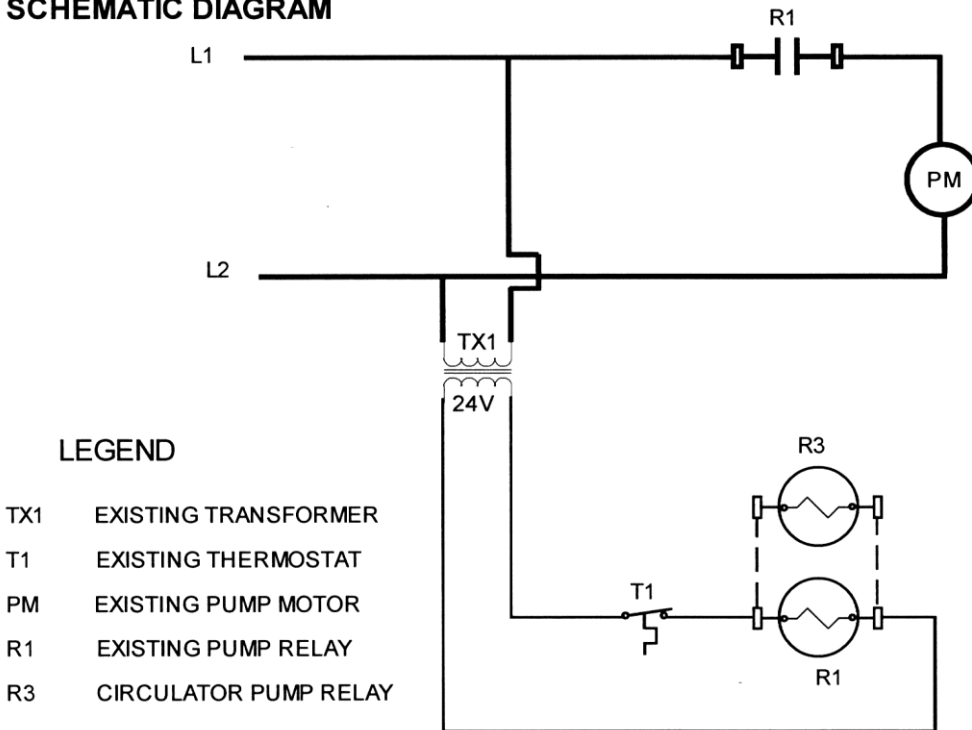
# WIRING DIAGRAM FOR GAS BOILER INSTALLATION

Put strap on Aquastat on the supply side of the water-line from outdoor furnace. Run thermostat wire from the strap on Aquastat to R and G of fan control center. Run 115V power to white and black wire of fan center coil. Break one wire of gas boiler Aquastat. Hook one side of wire to brown wire of fan control center contact. Hook other side of gas boiler Aquastat wire to black on fan control center contact. Set strap on Aquastat to close at 100-120 degree.

## Connection to Hydronic System with existing 24 Volt Transformer



## SCHEMATIC DIAGRAM



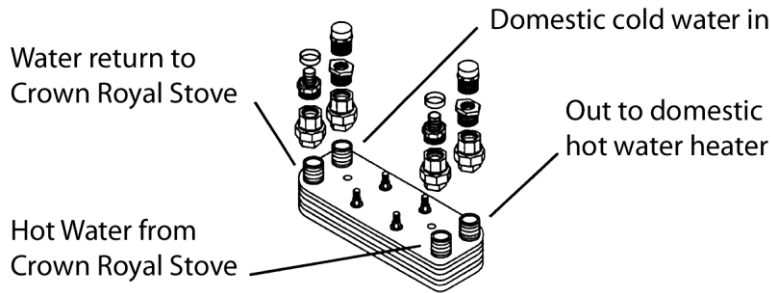
### LEGEND

- TX1    EXISTING TRANSFORMER
- T1    EXISTING THERMOSTAT
- PM    EXISTING PUMP MOTOR
- R1    EXISTING PUMP RELAY
- R3    CIRCULATOR PUMP RELAY

ALL INSTALLATIONS AND OPERATIONS MUST FOLLOW FEDERAL, PROVINCIAL, STATE AND LOCAL CODES FOR WIRING, PLUMBING AND INSTALLING CHIMNEY. ALL WORK MUST BE PERFORMED BY QUALIFIED PERSONNEL ONLY.

## DOMESTIC HOT WATER

The Domestic Hot Water Flat Plate Kit consists of a Water to Water Heat Transfer unit and the fittings needed to hook it up. The unit goes on top of the domestic hot water heater and is connected as shown below.



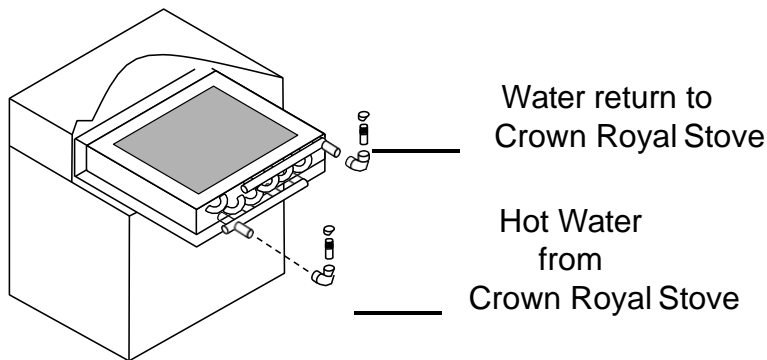
## EXISTING FORCED AIR

A water to air heat exchanger is inserted in the existing plenum. In most cases the heat exchanger is placed in a horizontal position, keeping all four sides level. The air must be forced through the finned area of the heat exchanger evenly. The hot water line coming from the hot water tube enters the bottom fitting of the heat exchanger and exits the top fitting, which returns to the furnace. If the plenum is too large or too small, it must be altered to fit the heat exchanger properly.

After installation of the add-on water to air exchanger, the air flow must be increased to fuel the furnaces, electric furnaces and electric/gas furnaces. Methods of doing this are:

**BELT DRIVE SYSTEM:** Blower pulleys and motor pulleys may be changed but the electric current flowing through the motor shall not exceed the nameplate rating. (A blower motor or larger power may be used.)

**DIRECT DRIVE SYSTEM:** The motor shall not be changed; however the speed of the motor may be increased.



**THE HEAT EXCHANGER:** Air blows through the heat exchangers grill taking the heat from the water heated grill and blowing it into your existing ductwork.

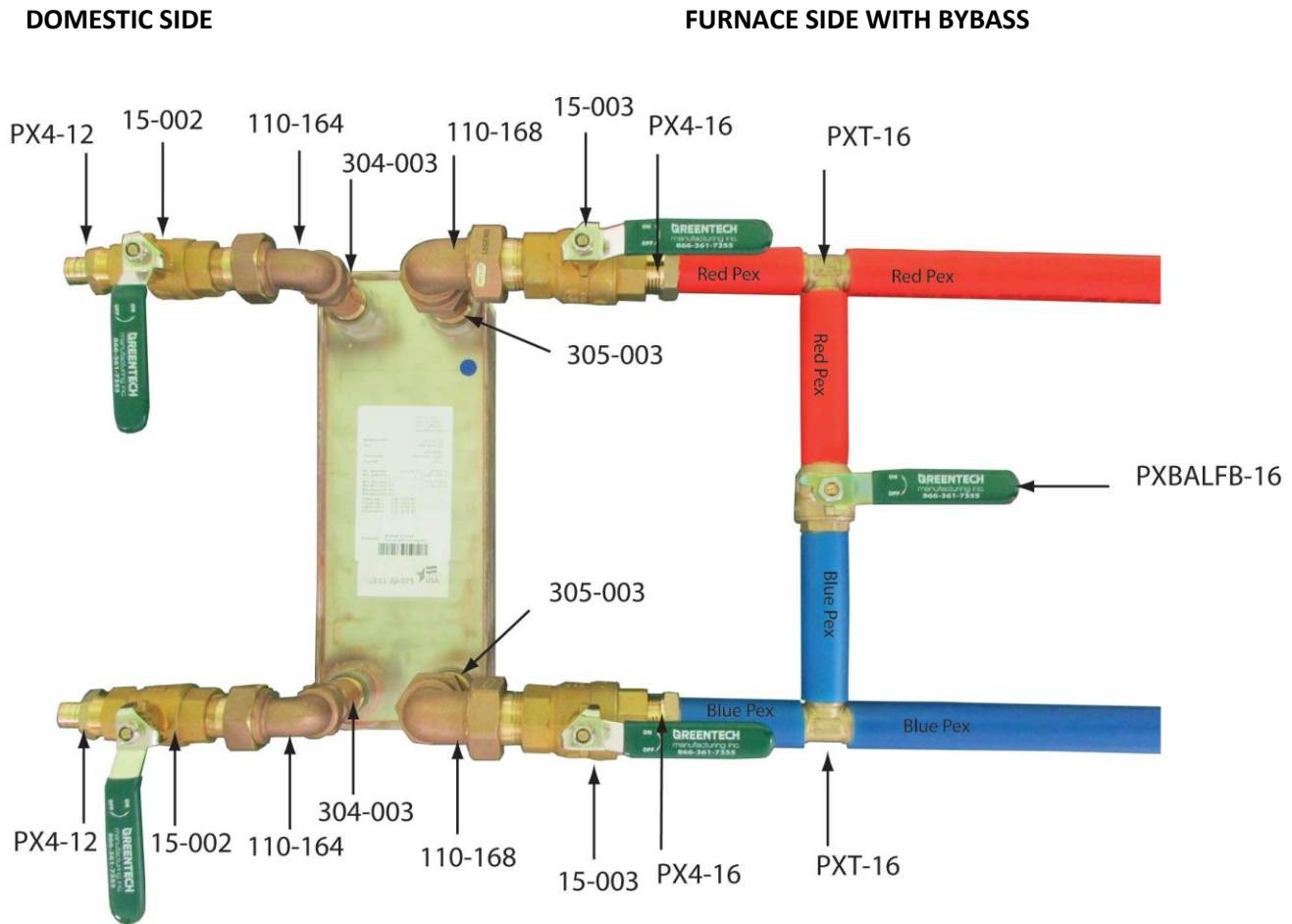
**THE HEAT EXCHANGER:** Air blows through the heat exchangers grill taking the heat from the water heated grill and blowing it into your existing ductwork.

**CAUTION!!!** When installing heat exchangers do not tamper with existing controls. Wiring to existing blower can be done with a line voltage or low voltage thermostat.

**NOTE:** Wire thermostats according to directions provided by the manufacturer.

**Brazed Plate Water to Water Exchanger**

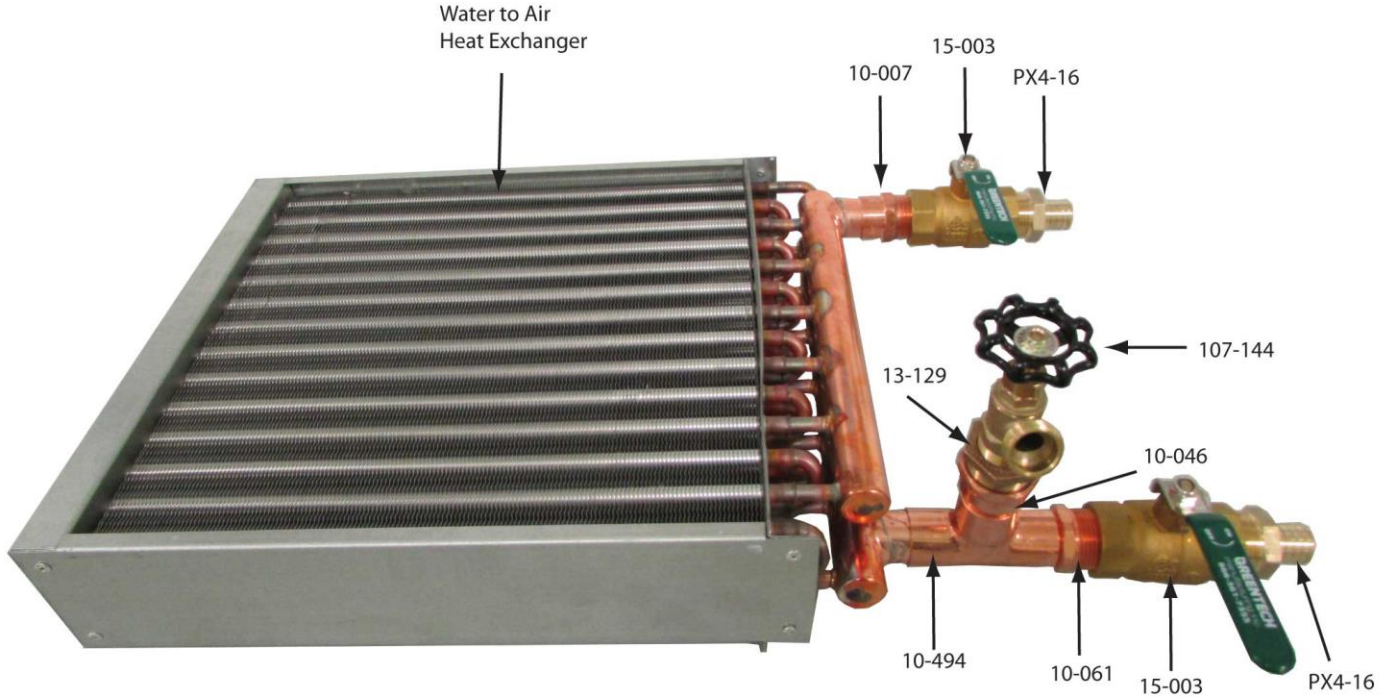
The Brazed Plate water to water exchanger can be installed on either the cold side or the hot side of the hot water heater. If installed on the cold side, the hot water heater needs to be left on to maintain the temperature in the hot water heater. If installed on the hot side, the hot water heater needs to be turned off and the hot water heater is now a reservoir.



| PART NUMBER | DESCRIPTION                            |
|-------------|--|
| PX4-12NL    | 3/4" PEX X MALE ADAPTER (NO LEAD)      |
| 15-002      | 3/4" BALL VALVE (NO LEAD) FIP X FIP    |
| 110-164     | 3/4" UNION ELBOW IPS                   |
| 304-003     | 3/4" X 2-1/2" RED BRASS NIPPLE         |
| 110-168     | 1" UNION ELBOW IPS                     |
| 305-003     | 1" X 2-1/2" RED BRASS NIPPLE           |
| 15-003      | 1" BALL VALVE (NO LEAD) FIP X FIP      |
| PX4-16 NL   | 1" PEX X MALE ADAPTER (NO LEAD)        |
| PXT-16 NL   | 1" PEX X 1" PEX X 1" PEX TEE (NO LEAD) |
| PXBAL-16 NL | 1" PEX X 1" PEX BALL VALVE (NO LEAD)   |

## WATER TO AIR SETUP - INSTALLATION

Water to Air Heat Exchangers are for use in your hot air plenum of your existing forced air furnace to transfer heat into your existing forced air system.



| PART NUMBER | DESCRIPTION                            |
|-------------|--|
| 10-007      | 1-1/4" COPPER ADAPTER C X FEMALE       |
| 15-003      | 1" BALL VALVE FIP X FIP                |
| PX4-16      | 1" PEX X MALE ADAPTER                  |
| 107-144     | 3/4" MALE BOILER DRAIN MNPT            |
| 13-129      | 1" X 3/4" BRASS HEX BUSHING            |
| 10-046      | 1" COPPER FITTING ADAPTER FTG X FEMALE |
| 10-494      | 1" X 1" X 1" COPPER TEE                |
| 10-061      | 1" COPPER ADAPTER FTG X MALE           |
| 15-003      | 1" BALL VALVE FIP X FIP                |

# STOVE COMPONENTS



A



B



C



D



E



F



G



H



I



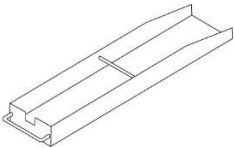
J



K



L



M



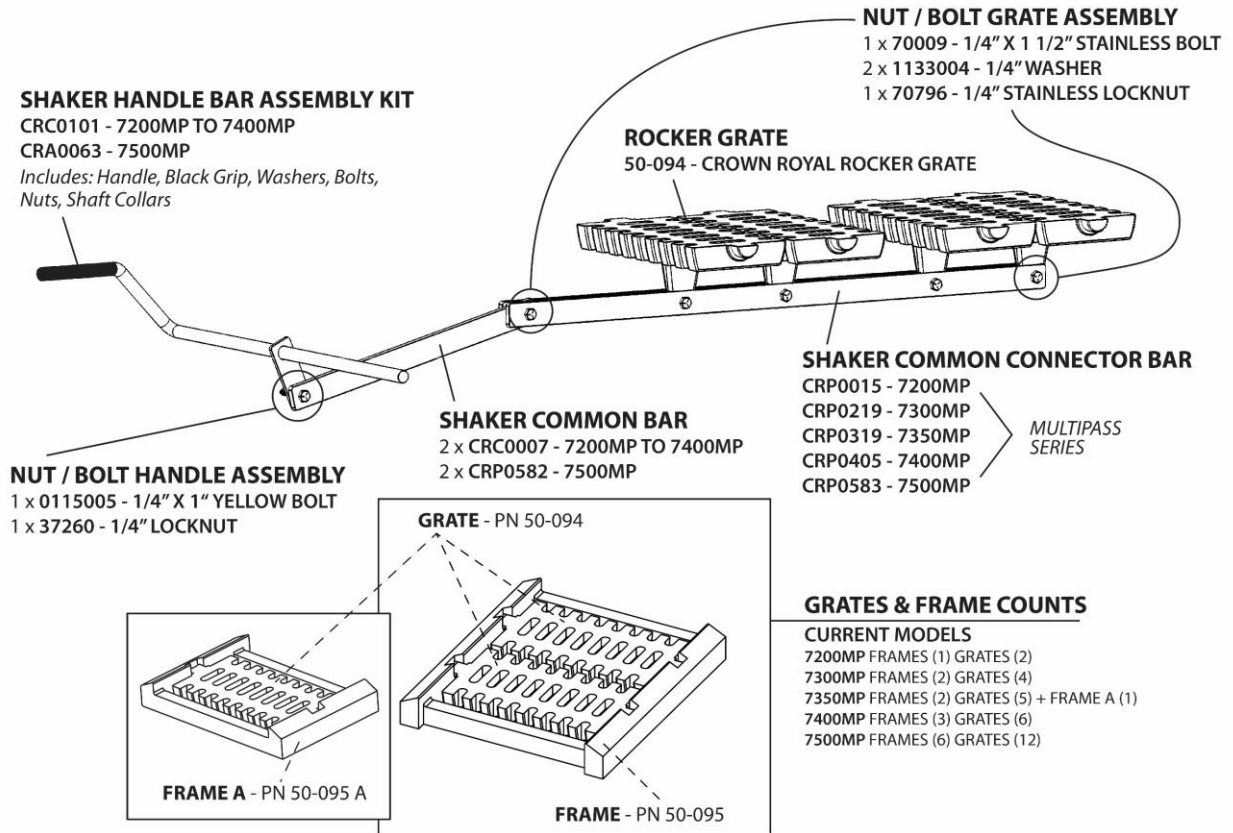
N



O

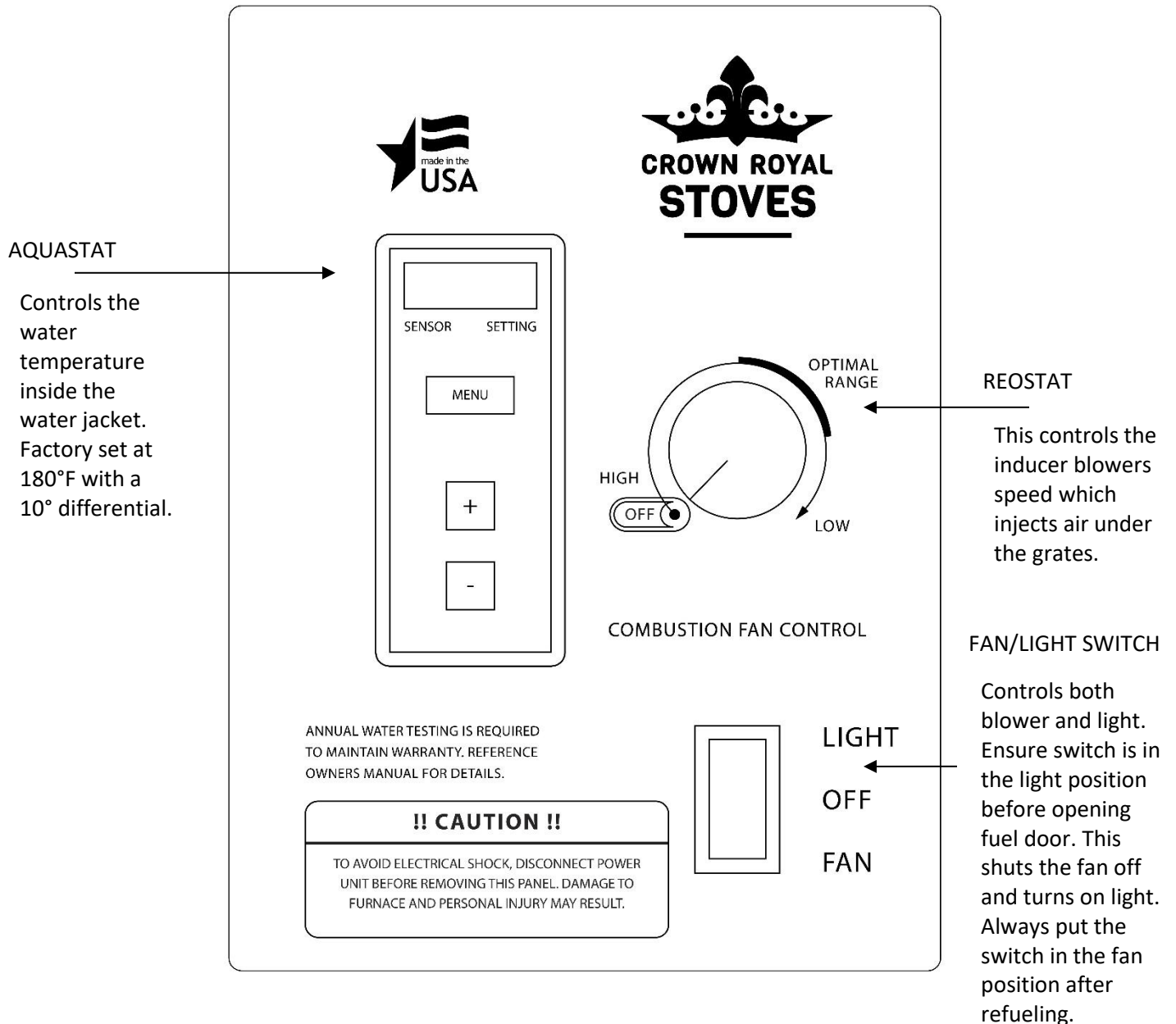
| Part Number | Description                                    | Part Number                   | Description                                |
|-------------|--|-------------------------------|--|
| A           | 50-004 Electronic Temperature Control          | L                             | Control Control Chemical & Test Bottles    |
| B           | 50-035 Limit Switch                            | M                             | 490091 Ash Pan 7200MP                      |
| C           | 50-035 Thermowell                              |                               | 490092 Ash Pan 7300MP                      |
| D           | 50-001 Upper Blower                            |                               | 490099 Ash Pan 7350MP                      |
| E           | 50-005 Lower Blower                            |                               | 490093 Ash Pan 7400MP                      |
| F           | 50-110 Damper Actuator                         |                               | 490094 Ash Pan 7500MP                      |
| G           | 50-037 Blower Speed Control                    |                               | N  |
| H           | 50-053 1" Silicone Covered Door Rope           | 60-004 Ash Rake 7300MP        |  |
| I           | 50-050 Black High Temperature Silicone         | 60-005 Ash Rake 7350MP/7400MP |  |
| J           | 50-094 Crown Royal Cast Iron Grate             | 60-006 Ash Rake 7500MP        |  |
| J           | 50-095 Crown Royal Cast Iron Frame Full Size   | O                             | 60-018 Water Level Indicator 7200MP-7400MP |
|             | 50-095 A Crown Royal Cast Iron Frame Half Size |                               | 60-017 Water Level Indicator 7500MP        |
| K           | CRC0053 E Upper Blower Damper (3.75")          |                               |  |
|             | CRC0053 F Lower Blower Damper (5.25")          |                               |  |

Shaker Grate Assembly Chart



The aquastat powers the inducer draft blower to maintain the desired water temperature. The aquastat is set at 180°F at the factory, which means the inducer fan will run until the water in the jacket reaches 180°F. Only qualified personnel should be adjusting the temperature controls.

The on and off switch is to shut the power off to the inducer blower when the firebox is being filled. The outside light is wired so it can be turned on and off at a remote location.



**FILLING THE WATER JACKET**

Your outdoor furnace has a vent pipe that protrudes through the roof and is behind the chimney. By placing a garden hose in this pipe, you can fill your furnace to the proper water level. Because this furnace is an open-to-atmosphere system, it is normal that water will have to be added annually. Depending on circumstances, 5 or 10 gallons is not unusual. To make this procedure more convenient, a boiler drain valve (tap, faucet) can be installed into the return furnace line allowing you to connect a double female (automatic washing machine hose) between it and your domestic supply line.

On your initial filling of your furnace make sure to inspect all connections in your system for leaks. In your system a bleeder valve should have been installed at the highest point. This will allow you to remove any air from the system. **CAUTION - Do not fire furnace until it is filled with water!**

**WARNING!! Never fill furnace with softened water.**

Allow furnace to run for two days and check water levels and fittings for leaks. If all is okay, you now should add the manufacturer's recommended water treatment.

**FIRING THE FURNACE**

The furnace will continue to feed an air supply to the fire until your aquastat shut off temperature is reached (160F). On this initial start up the water jacket will reach what is called the dew point. This creates sweat inside the fire box and heat exchanger which may last a couple of days and is normal.

Although everyone has different methods of firing, filling your furnace to capacity reduces the efficiency of the furnace. It is better to load twice a day with less fuel than once a day filling to capacity. Smaller fuel loads burn hotter, cleaner and more thoroughly. By burning off more of the gases (smoke), you enhance the overall efficiency of your system by reducing creosote and increasing heat transfer to the water.



**DAILY FUELING & FIRING ROUTINE**

Prior to opening the fuel door, pull the damper plate rod out, turn the inducer fan switch off and wait 60 seconds. After the 60 seconds has passed, open the fuel door slowly and stand behind the door so that the door is between you and the fire box. Allow another 60 seconds to pass before raking the coals, shaking down the ashes, cleaning the heat exchanger and filling the fire box. Failure to wait may cause an injury from a fire flare back.

Since the inducer blows air into the ash pan area it is critical to remove the ashes daily even though the ash pan area is not full. Check the heat exchanger weekly. Store ashes in a covered metal container until all cinders have thoroughly cooled prior to dispersal.

Do not load the fire box more than thirty percent (30%) with coal. If additional fuel is added you will not maintain a hot enough burn and your efficiency rate will deteriorate. Only add enough coal to provide heat until the next fueling time. Overfilling the fire box will cause the fire to smolder, create excessive creosote and result in more fuel being consumed.

**SAFETY**

Whenever the loading door is to be opened, it should always be cracked slightly to allow oxygen to enter and burn off any combustion gases that are present before fully opening. Failure to do this could result in sudden ignition of the unburned gases when the door is opened.

A stove should never be filled with excess coal so that the flue gas exit is blocked or impeded in any way.

**WARNING!!! Risk of Fire:** Do not operate with fuel loading and/or ash removal doors open. Do not store fuel or other combustible materials within marked installation clearances. Inspect and clean flues and chimney regularly.

**CAUTION!!! Hot Surfaces:** Keep children away. Do not touch during operation.

**STARTING DURING A PROLONGED POWER FAILURE**

During a prolonged power failure, where no power is being sent to the furnace, do not load with new fuel or try to start a new fire. It is recommended that you contact your local dealer or Greentech Manufacturing, Inc. to find out what size of generator is needed to keep your furnace running. Once an approved generator is connected to the stove, the unit may be started normally.

**CAUTION!!!** Do not to start the unit during a prolonged power failure.

**STARTING A COAL FIRE**

Starting a coal fire takes time and patience. It is a learning process; coal burns entirely different than wood.

To begin, take around eight sheets of newspaper, crumble into balls and place on the top of the grates in your stove. Next, lay fine kindling on top of the paper. The kindling must be dry and not larger than  $\frac{3}{4}$ " in diameter. Layer the kindling in crisscross fashion to allow good air flow. Open the draft control fully, this can be found on the front of your stove above the firebox door. Now, close the loading door and allow the kindling to catch fire.

After a few minutes, open the loading door an inch or two for several seconds before opening completely. This method will allow smoke to clear away from the door opening before the loading door is completely opened. Add smaller compact pieces of hardwood when the kindling fire is burning hot. Keep the draft controls fully open to establish a hot fire quickly. Wait until the hardwood has burned long enough to start breaking off into hot coals. Add more hardwood if needed.

When there is a well-established wood fire going with plenty of red-hot wood coals, start adding coal (nut is preferred over stove size), small amounts at a time. Wait until the first layer of coal catches and is starting to glow orange, then add another layer. Adding too much coal too quickly at this stage might smother the fire and you will have to start over. Once these layers of coal are glowing orange, continue to add coal until the entire grates are covered - several inches thick minimum.

Once the coal fire is well established, the entire grate area must be kept covered or the coal will not keep burning. Keep the draft controls open. Once the coal is completely covering the grates and glowing orange you can load more coals and shut the damper controls.

Do not fill the unit with more coal than as stated below.

7200MP: 40LBS

7300MP: 60 LBS

7350MP: 70 LBS

7400MP: 80 LBS

7500MP: 200 LBS

**Usage of authorized Control Chemical is required in all Crown Royal Stoves. To uphold your warranty annual water testing is necessary.**

Do not allow moisture to come in contact with ashes in firebox or heat exchanger. It is mandatory to have a rain cap on the termination of your chimney.

**Frequently check for accumulated soot, creosote and ash build-up until experience shows how often cleaning is necessary.**

Check daily for creosote build-up until experience shows how often cleaning is necessary. Be aware that the hotter the fire, the less creosote is deposited, a weekly cleaning may be necessary in warmer weather, while a monthly cleaning may be adequate in the coldest months. Have a clearly understood plan of how to handle a chimney fire.

See (RUNAWAY CHIMNEY FIRE)

**Daily Maintenance**

- Check water level and add as necessary.
- Remove collected ash from the shaker grates and ash pan.
- Check if temperature setting corresponds to thermometer.
- Check for ash buildup in firebox and clean as necessary (Use a metal container to empty ashes into.)

**Note:** Unit must be shut down in order to fill up and clean the ash pan!

**Weekly Maintenance**

- Check air bypass tubes and chimney; remove any creosote, soot or ash build-up that may have occurred. Check for ash build-up in heat exchangers and clean as necessary.
- Check fans, actuator and damper plates for proper operation and unobstructed air flow.

**Monthly Maintenance**

- Check the water float and add water until excess flows from the overflow pipe located in front of the chimney.

**Annual Maintenance**

- Lubricate fan and shaker grate.
- Check fans, actuator and damper plates for proper operation and unobstructed air flow.
- Check the door gasket and replace if needed.
- Clean out any ash buildup from back.
- Check blower motor bushings and oil as needed.
- Check air bypass tubes and chimney; remove any creosote, soot or ash build-up that may have occurred.
- At the end of the season, thoroughly clean out all the ashes in the firebox, chimney, ash pan and heat exchanger.
- Place a chimney cap on the chimney in order to keep rain from entering the firebox.

**Remember:** Your preventive maintenance program will give you years of trouble-free service.

**Off Season Maintenance**

- At the end of the heating season, shut off the pump, empty the fire box and heat exchanger of all ash, remove the creosote, clean the damper plate and clean the chimney. Remove and clean the inducer blower, clean the ash pan area, check the door gaskets and replace as necessary.
- Drain the system if needed, refill to the top, treat and test the water, turn on the circulation pump for at least four hours to mix the treatment thoroughly, check for leaks and then shut the pump off.
- Care for the exterior of your furnace is minimal. The unit may be washed using water and a mild non-abrasive cleaner suitable for painted surfaces. Avoid direct water pressure to electrical components and connections.

**CONTACT YOUR LOCAL DEALER FOR ANY QUESTIONS REGARDING MAINTENANCE.**

**CAUTION!!!** Make certain that all electrical power to the furnace and components are shut off before washing.

### ASH REMOVAL, ROTATION & DISPOSAL

**CAUTION!** Ashes should never be allowed to accumulate above the top of the pan. Ashes in contact with the bottom of the grates act as an insulator, thus intensifying the heat on the grates and could cause warping. With an excessive ash buildup, primary combustion air is restricted, and the unit's output will be reduced. Warped grates are easily recognized by the extreme damage.

Ash removal should be done weekly to maintain a good ash rotation. This is done by shaking the rocker grates so the ashes will fall through the grate into the ash pan below. Open the ash pan door and remove the ash pan and place ashes into a metal container with a metal lid.

The closed metal container of ashes should be placed on a noncombustible floor or on the ground, well away from all combustible materials until final disposal. Ashes should remain in the closed container until all cinders have cooled, in an area that is at least sixty (60) inches from the front of the stove and thirty-six (36) inches from the sides or back of the stove.

### CREOSOTE FORMATION & REMOVAL

When fuel is burned, organic vapors and tar combine with expelled moisture forming creosote, which clings to the interiors of the stove. Creosote vapors condense in the relatively cool chimney of a slow burning fire; as a result, creosote accumulates on the flue lining. When creosote ignites it creates an extremely hot fire and can cause damage to the stove and/or persons. The chimney and its connectors should be inspected at least twice a month, during the heating season, to determine if a buildup is occurring. If creosote has accumulated, it should be removed to reduce the risk of a chimney fire.

### RUNAWAY CHIMNEY FIRE

To avoid a chimney fire, ensure that daily, weekly, monthly and annual maintenance techniques are being followed.

If a fire is to occur, close the dampers, shut down the power to the unit, and ensure the firebox, ash pan & heat exchanger doors are securely shut. This will eliminate new oxygen from being introduced into the firing chamber, thus killing both the chamber and chimney fires.

**CAUTION:** Hot coals can last for days. Disposing of them improperly or too soon can cause a fire.

### WARNING!!! RISK OF FIRE

With the exception of the start-up and ash removal periods, the ash pan, loading doors and heat exchanger door should never be left open. This unit should never be left unattended with any of the doors left open.

**CAUTION:** Always close the ash pan door or serious overheating will occur and damage the unit.

**If the furnace fails to heat up:**

- Check fire.
- Check fan for operation.
- Check that actuator dampers are open to allow air velocity.
- Check water level of furnace.
- Check for creosote blockage at chimney and bypass trough.
- Check temperature setting.
- Check for power at furnace.
- Check for blockage in rear 4" air tube.

**If furnace water is hot, but buildings do not have heat:**

- Check pumps and check for closed valves.
- Check filter or Y-Strainer for flow blockage.
- Check for air in system at exchanger by bleeding off.

**If furnace boils:**

- Check that door is closing properly and that door gasket is completely sealed.
- Check that the ash pan door is properly closed and the gasket is completely sealed.
- Check that the actuator damper plate is opening and closing without hang-ups.
- Check that the flexible air duct is connected to the blower and the bottom elbow of the furnace.
- Check that the temperature settings and water levels are correct.

**If furnace has shut down:**

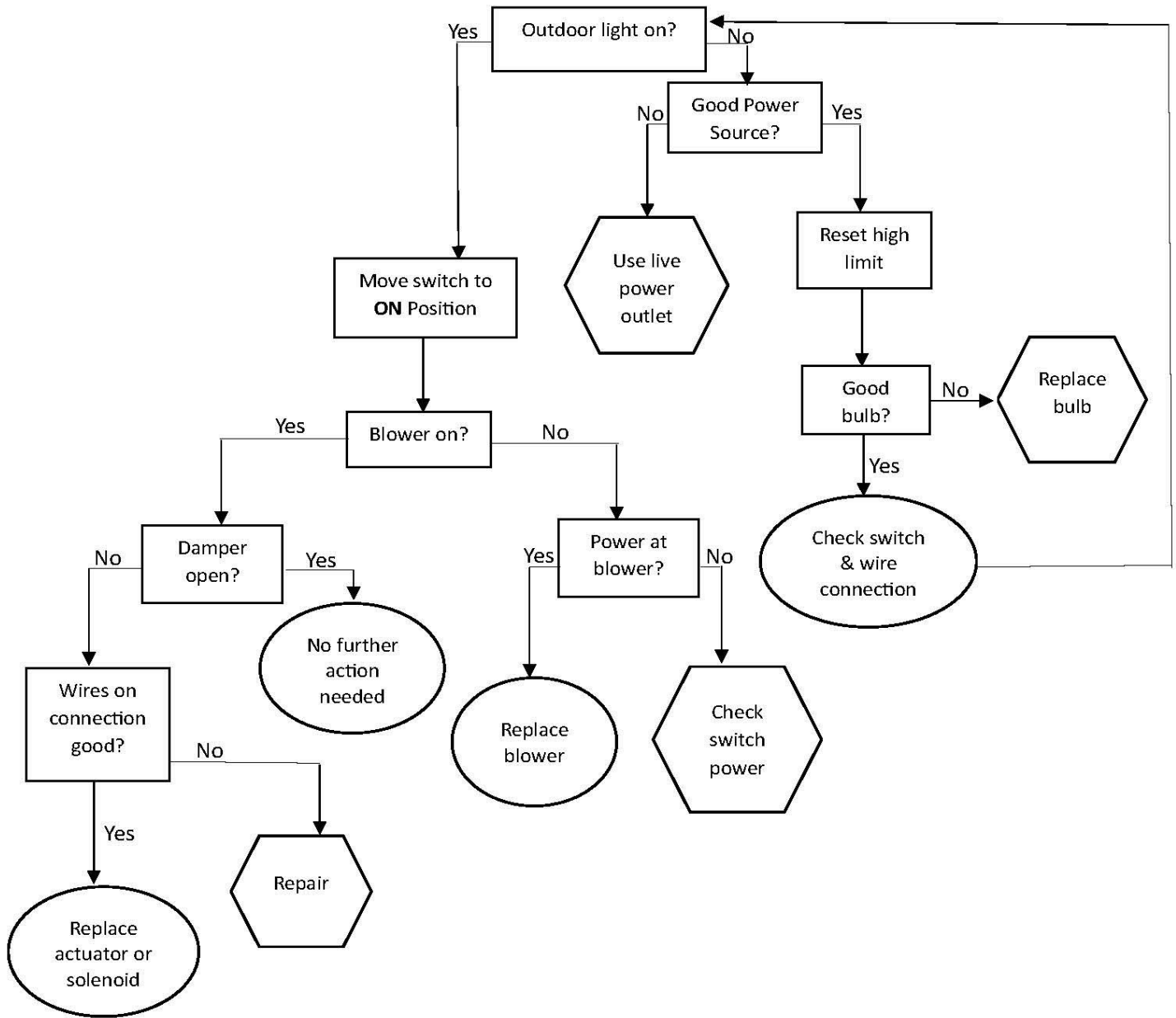
- Check to ensure that the unit has power (does the outside light work).
- Check the water temperature (furnace has a high temperature cut-out of 190 degrees F.).
- If all the checks have not corrected the problem, have a qualified technician check the control panel.

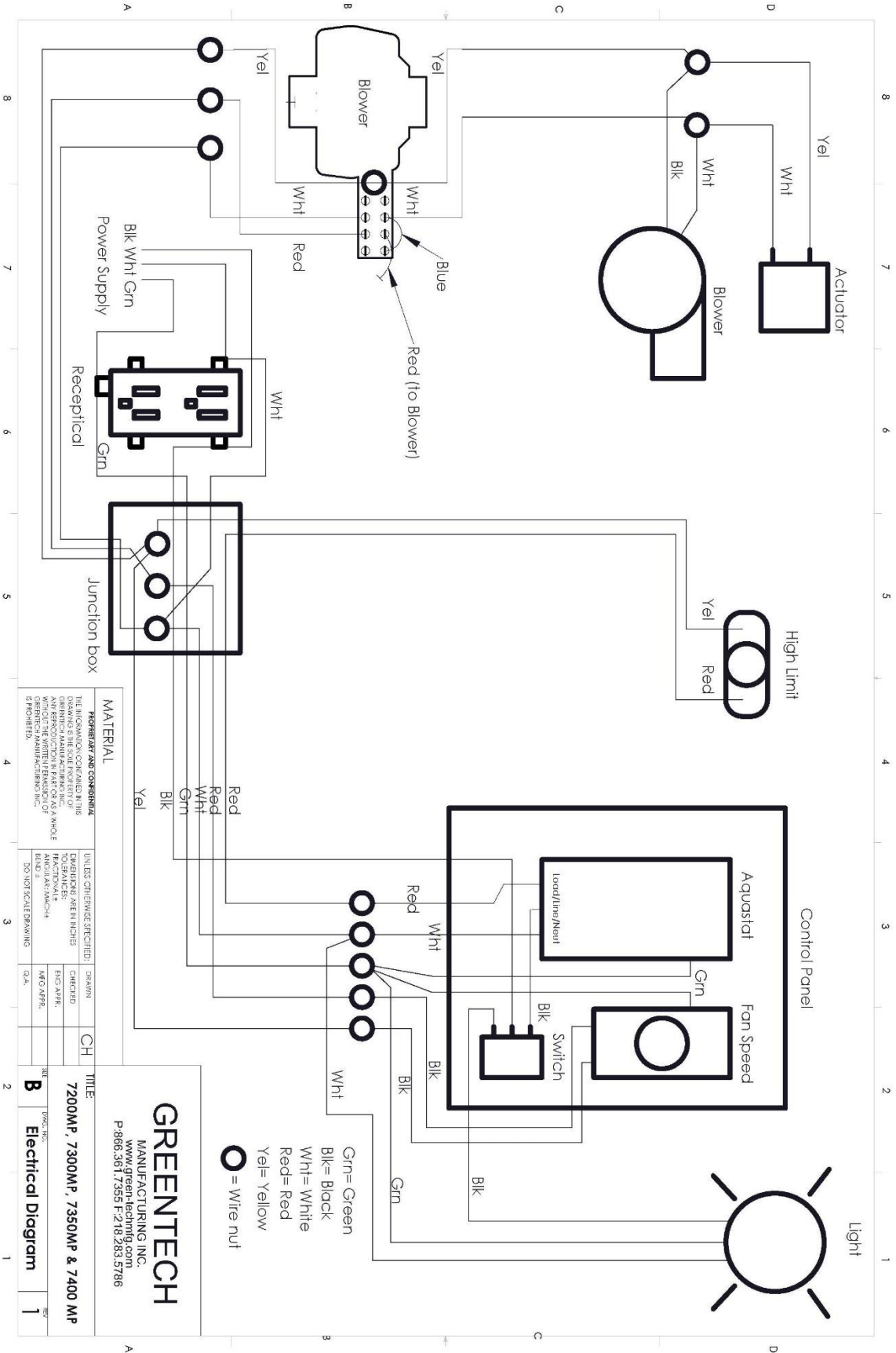
**Blower will not come on:**

- Check to see if the high limit switches may be shut off because of water temperature is higher than aquastat setting.
- Wait and allow water to cool down. Reset snap disc.

# Electrical Trouble Shooting Flow Chart

Begin Diagnostic test with light/blower switch in **OFF** position



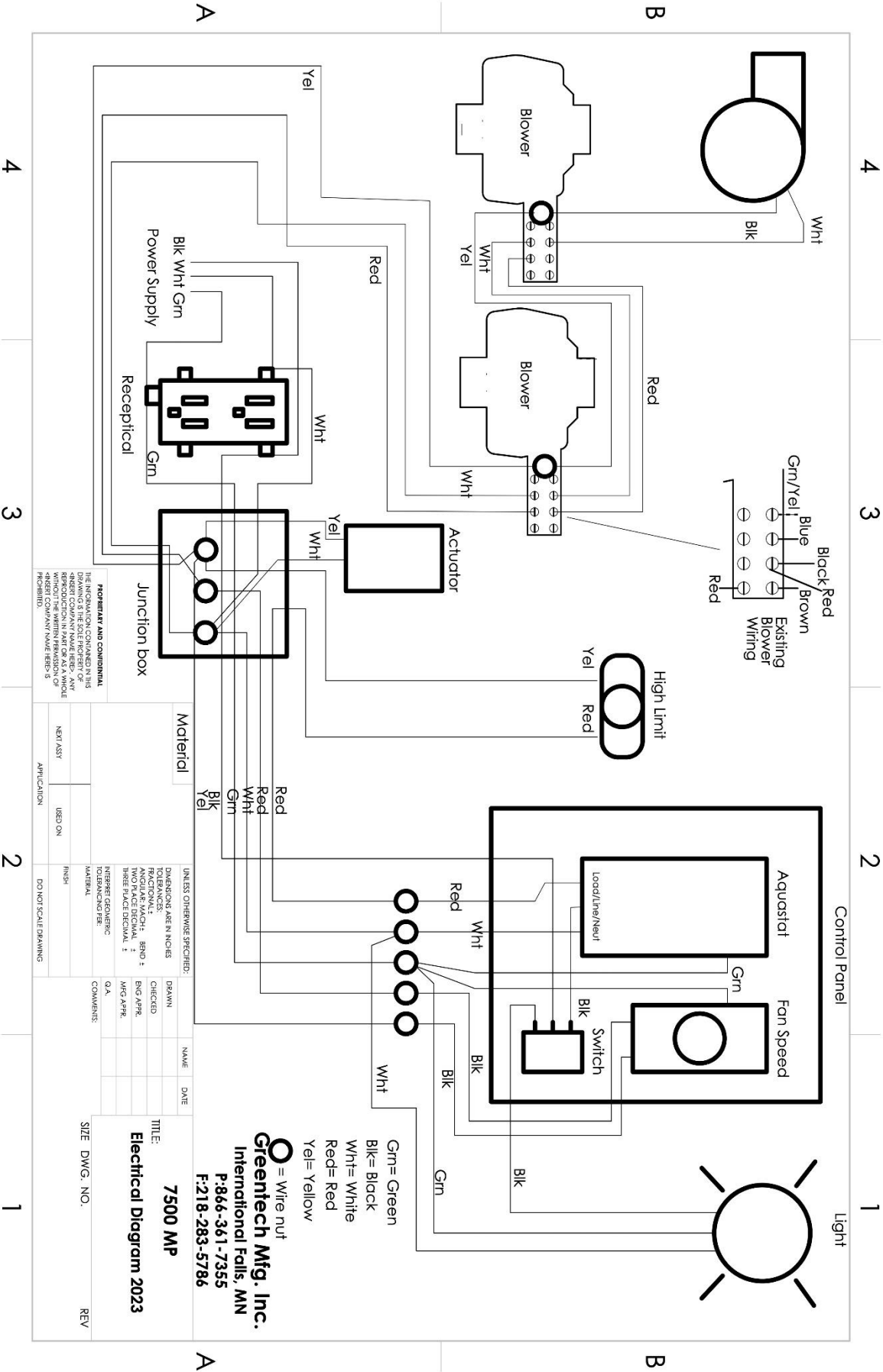


|                             |  |                                    |  |
|-----------------------------|--|------------------------------------|--|
| <b>MATERIAL</b>             |  | <b>PROPORTION AND CONSERVATION</b> |  |
| UNLESS OTHERWISE SPECIFIED: |  | DRAWN                              |  |
| DIMENSIONS ARE IN INCHES    |  | CHECKED                            |  |
| TOLERANCES ARE IN INCHES    |  | ENG. APPR.                         |  |
| TO DIMENSIONS               |  | MFG. APPR.                         |  |
| AND UNLESS INDICATED        |  | DIA.                               |  |
| BY                          |  | DATE                               |  |
| REVISION                    |  | DO NOT SCALE DRAWINGS              |  |
| REVISION                    |  | DATE                               |  |

**GREENTECH**  
 MANUFACTURING INC.  
 14475 Salford Rd.  
 P. 866.361.7555 F. 218.283.5786

**TITLE:**  
 7200MP, 7300MP, 7350MP & 7400 MP  
**B** Electrical Diagram

# ELECTRICAL WIRING DIAGRAM 7500MP





Greentech Manufacturing Inc. requires the usage of authorized furnace treatment to be used in all Crown Royal Stoves. Treatment is to be added to furnace water upon initial startup and is required to remain at satisfactory levels throughout the life of the stove.

To ensure the maximum efficiency and longevity of your Crown Royal Stove, water treatment is crucial. Treating systems with authorized furnace treatment will prevent corrosion and scale buildup. Calcium and magnesium are commonly found in many water supplies. These impurities cause layers of scale that not only decrease heat transfer efficiency but cause pitting on the interior water jacket. Over time constant pitting will result in leaks. Once authorized treatment is added it creates the necessary barrier needed to prevent the breakdown of metals. Premature corrosion is a result of not treating the water with correct corrosion resistant inhibitor or with the wrong dosage.



### Water Treatment and Testing Required on all Crown Royal Stoves

All Crown Royal Stoves are required to be shipped with initial recommended gallon(s) of authorized treatment. Crown Royal Stoves are backed with a 20-Year Limited Warranty. To retain warranty on Crown Royal Stoves it is required to use recommended treatment and submit annual samples for testing. Failure to maintain treatment at recommended levels and annual water testing will result in a voided warranty.

- Specifically designed for Crown Royal Stoves, open-loop design.
- Helps protect system from scale, sludge and corrosion.
- Vapors help prevent corrosion throughout the furnace.
- Economical – one gallon/3.78 liters treats 300 gallons/1134 liters of system capacity.
- FREE Water Testing and sample bottles.

### Sample Bottles

Two sample bottles and labels are found with each gallon of treatment. For additional bottles or labels please contact your local dealer or call 866-361-7355.

### Warning

Read the entire label located on Control treatment before opening or using this product. Keep out of the reach from children. Do not mix with any other chemicals. Contains Sodium Nitrate and Potassium Hydroxide. Avoid contact with skin, eyes and clothing. Undiluted product causes severe skin and eye irritations. Wash thoroughly after handling. Do not swallow. Swallowing may cause nausea, vomiting, weakness and lowered blood pressure. **MADE IN U.S.A.**

### Storage

Keep container closed when not in use. When product is stored it may separate or thicken. This will not harm the performance. Before using, warm to room temperature and stir thoroughly. Keep from freezing.

### Initial Start-up Procedure for Water Treatment

All Crown Royal Stoves purchases are required to purchase authorized water treatment for initial start-up. With each gallon of treatment, you will be provided with two sample bottles and furnace information forms.

- Before adding treatment fill furnace with water and circulate for 48 hrs.
- Check for any leaks before adding treatment.
- Add initial dosages of treatment for the following models:
  - 7200MP – Add 3/4 gallon
  - 7300MP – Add 1 gallon
  - 7350MP – Add 1-1/2 gallons
  - 7400MP – Add 2 gallons
  - 7500MP - Add 3 gallons
- Follow procedure for collecting water sample below.

### Procedure for Collecting Water Samples

- Turn off furnace and circulate for 24 hours to ensure complete mixture of water and treatment.
- Collection of samples can be done from drain line or other convenient location.
- Allow 30 seconds of drainage before collection of samples.
- Use provided 4 oz sample bottle to retrieve water sample.
- Fill out provided Furnace Information Form and attach to sample bottle.
- Mail water sample to designated testing facility found on provided Furnace Information Form.
- Testing facility analyzes the conductivity, PH and nitrate levels of water sample.
- Testing results are provided on all samples within 4-6 weeks.
- If testing results are unsatisfactory, recommendations of additional treatment will be given.
- These recommendations will need to be performed and a retest is required to maintain warranty.
  - Low Levels – Additional treatment is to be added to system and a retest is required.
  - High Levels – Water will need to be drained and replaced with fresh, untreated water and a retest is required.

**When collecting water samples turn off furnace and allow water to reduce in temperature. When water is reduced to a safe temperature, collect sample.**

**WARNING!!! Hot water and surfaces may cause burns. Use extreme care with collection of water sample.**

**Mailing Samples** - Testing results are emailed to customers who provide emails on the Furnace Information form or mailed to the address given within 4-6 weeks. It is owner's responsibility to ensure they receive testing results and follow recommendations. When mailing samples to testing facility it is recommended to mail with tracking capabilities. If test results are not received within 4-6 weeks, please call 866-361-7355.

**Additional Dosage Requirements** • If system/furnace experiences leak or requires water to be added, add treatment at the rate of ½ oz per gallon of water added. • If furnace system is drained for any reason, refer to initial startup procedure of Water Treatment.

**WARNING!! Never fill furnace with softened water!**

## IMPORTANT

### Mandatory Yearly Maintenance Dosage and FREE Water Testing

It is required annually to add treatment and send water sample to authorized testing facility to retain warranty of furnace. Water testing is free to all Crown Royal Stove customers for the life of the stove. **Failure to maintain treatment recommendation levels and submit annual water samples will result in a voided warranty.**

- Annually add  $\frac{1}{4}$  of the required amount of treatment yearly, this will keep levels balanced.
- Follow directions for collection of water sample and mail to facility for testing annually.

### Purchasing Water Treatment

Water Treatment is specially formulated for Crown Royal Stoves. To uphold warranty no other chemical may be substituted. We encourage customers to contact your local dealership or call 866-361-7355 to purchase additional water treatment when needed.



For additional free sample bottles and labels please contact your local dealer or call 866-361-7355.

## EMERGENCY PROCEDURE FOR CONTROL CHEMICAL

### EMERGENCY FIRST AID PROCEDURES FOR FURNACE TREATMENT EMERGENCY PHONE NUMBER 1-800-424-9300

#### **INHALATION:**

Remove from the area to fresh air. If not breathing, clear the airway and start mouth to mouth artificial respiration. GET IMMEDIATE MEDICAL ATTENTION.

#### **EYE CONTACT:**

Immediately rinse the eyes with water. Remove any contact lens and continue flushing for at least 15 minutes. Hold the eyelids apart to ensure rinsing of the entire surface of the eyes and lids with water. GET IMMEDIATE MEDICAL ATTENTION.

#### **SKIN CONTACT:**

Wash affected areas with large amounts of soap and water for 15 minutes. Remove contaminated clothing and shoes. GET IMMEDIATE MEDICAL ATTENTION.

#### **INGESTION:**

Give 3 to 4 glasses of water, but do not induce vomiting. If vomiting occurs, give fluids again. GET IMMEDIATE MEDICAL ATTENTION. DO NOT GIVE ANYTHING BY MOUTH TO AN UNCONSCIOUS OR CONVULSING PERSON.

#### **NOTE TO PHYSICIAN:**

Introduction into the body may lead to the formation of Methemoglobin which in sufficient concentration causes Cyanosis. Since reversion of the Methemoglobin to Hemoglobin occurs spontaneously after termination of exposure, moderate degrees of Cyanosis should be treated only by supportive measures such as bed rest and oxygen inhalation. Thorough cleansing of all contaminated areas of the body including scalp and nails is of utmost importance. If Cyanosis is severe, intravenous injection of Methylene blue, 1 MG/KG of body weight may be of value. Cyanocobalamin (Vitamin B-12), 1 MG Intramuscularly, will speed recovery. Intravenous fluids and blood transfusion may be indicated in very severe exposures.

## 20 YEAR LIMITED WARRANTY

Thank you for making the choice to purchase your new Crown Royal Stove. We are certain that you will find great satisfaction with your stove's ongoing reliability and performance.

Greentech Manufacturing, Inc. warrants this furnace, to the original owner, to be free of defects in material and workmanship for a period of twenty (20) years from the date of purchase.

### One Year Warranty

- On Electrical Components - Parts Only—aquastats, thermostats, fans and pumps are guaranteed by the manufacturer for a period of one (1) year from the date of purchase. Parts will be replaced on an even exchange, excluding shipping charges and labor.
- The loading door, ash pan, door gaskets and ceramic moldings are warranted for a period of one (1) year from date of purchase.

### Five Year Warranty

- Shaker Grates - the cast iron rocker grates are warranted for five (5) years 100%. This warranty excludes any warping or deterioration from ash corrosion.

If there is a leak in the fire box or water jacket of your Crown Royal Stove during the:

- First (1) year - Greentech Manufacturing, Inc. will replace the unit at no cost to the original owner. The owner is liable for the un-installation of the old unit and the installation of the replacement unit.
- Two to five (2 - 5) years — If the unit is to be replaced the customer shall pay the difference between the original purchase price of the old unit and the new purchase price of the replacement unit, plus freight and installation.
- Sixth (6) year — Greentech Manufacturing, Inc. will pay a percentage of the total cost of the fire box and outer drum. Our percentage paid is as follows: year 6 – 70%, year 7 – 50%, years 8 - 9 – 30%, years 10 - 20 – 20%. After the twentieth (20) year, Greentech Manufacturing, Inc. will give 10% off the purchase of a new stove.

### Not Warranted

- Greentech Manufacturing, Inc. does not warranty parts damaged by freezing, overheating, pressurization, warping and/or use of unauthorized fuels or abuse.
- Greentech Manufacturing, Inc. is not responsible for the cost of plumbing, replacement of antifreeze, shipping, labor or any other cost other than the replacement of the part or furnace.
- Greentech Manufacturing, Inc. is not liable for any damage or cost which may occur from or during the operation of the furnace, or damage incurred due to any heating system failure. These furnaces are not intended to be the only source of heat; therefore, it is recommended that a back-up system is in place to prevent damages caused by lack of heat.
- No unauthorized adjustments or repairs will be covered by warranty.
- Greentech Manufacturing, Inc. does not warranty exterior paint or finish, any damage caused by negligence and deterioration due to lack of proper ongoing maintenance, overheating, physical damage caused by abuse or freeze up, unauthorized work or modifications to the furnace, damage to the fire-box due to power surges or damage caused by burning unauthorized fuels.
- Ash corrosion on the inside fire drum is not warranted. To prevent ash corrosion, rotating or raking ashes forward must be done as described in the manual. The Crown Royal Stove is designed to be the least susceptible to corrosion; therefore, most corrosion is covered under this warranty.

The chimney must be covered when the unit is not in use. It is mandatory that a chimney cap be installed before operation of the unit. If an onsite repair is made, the customer is responsible for the transportation costs and labor. If the furnace needs to be repaired at the factory, it is the responsibility of the consumer to pay all shipping charges to and from the factory. Greentech Manufacturing, Inc. specifically disavows any other representation, warranty or liability related to the condition or use of this product.

The purchaser assumes all responsibility for the care, maintenance and safe operation of the furnace including the monitoring and adding of an approved furnace treatment. All instructions must be followed in the operator's manual, Control Chemical utilized, and water samples tested annually and the warranty registration must be on file at Greentech Manufacturing, Inc. To qualify for warranty Greentech Manufacturing, Inc. always has the right to decide if the stove will be repaired or replaced. To validate this warranty, registration must be completed within thirty (30) days of purchase date, dealer's invoice attached and mailed to:

**Greentech Manufacturing, Inc. • P.O. Box 1237 • International Falls, MN 56649**

**Failure to use Control Chemical in your furnace and to send in annual water samples will void this warranty- NO EXCEPTIONS**

This Warranty is subject to change. For updated warranty information contact Greentech Mfg. Inc.



WARRANTY CLAIM FORM

Date: \_\_\_\_\_

Distributor/Dealer Name: \_\_\_\_\_

Address: \_\_\_\_\_

City: \_\_\_\_\_ State: \_\_\_\_\_ Zip: \_\_\_\_\_

Phone: \_\_\_\_\_ Fax: \_\_\_\_\_

Customer's Name: \_\_\_\_\_

Address: \_\_\_\_\_

City: \_\_\_\_\_ State: \_\_\_\_\_ Zip: \_\_\_\_\_

Phone: \_\_\_\_\_ Fax: \_\_\_\_\_

**Claim conditions apply and cannot exceed warranty statement and procedure policy!**

**Please send this form, bill of sale and pictures back to [service@green-techmfg.com](mailto:service@green-techmfg.com). Claim cannot be processed without pictures and/or video of leak. Pictures cannot be blurry. Take close-ups and farther away so we can tell where the leak is happening. Warranty work completed without prior authorization may be denied.**

(Process from start to finish - When reviewing all information sent in by customer, we make sure the stove is registered in original owner name and verify that the mandatory chemical was added to the system and yearly test results were sent in and came back satisfactory. When approved you find a local welder to give an estimate to repair the stove, which we approve and tell you the percentage covered. This warranty is prorated so it will be covered by a percentage. After you pay the bill you submit a copy to us and a check is submitted back to you. Complete process usually takes 30 days. Under some circumstances, we may require furnace to be shipped back to our facility.)

Model: \_\_\_\_\_ S/N: \_\_\_\_\_

Purchase Date: \_\_\_\_\_ Install Date: \_\_\_\_\_

Description of Claim: \_\_\_\_\_

\_\_\_\_\_  
\_\_\_\_\_  
\_\_\_\_\_  
\_\_\_\_\_  
\_\_\_\_\_  
\_\_\_\_\_  
\_\_\_\_\_  
\_\_\_\_\_  
\_\_\_\_\_

Have you turned in a warranty claim before? Yes or No  
If yes, is the leak in the same place? Yes or No

Additional Notes or Comments:

---

---

---

---

---

---

---

Repair Required:

---

---

---

---

---

---

---

**PLEASE ATTACH PHOTOS OF AREA NEEDING REPAIR**  
**Please mark the affected area of the stove on the diagram below.**



**Save these instructions for future use!**

## DESCRIPTION

The 16E09-101 is a single stage electronic temperature control, with a Nema 1 rated enclosure, and can be used for most applications within the temperature control range of -40° to 220°F, (-40° to 104°C). The control has an SPDT (Single Pole Double Throw) output load relay.

The control has user options to control differential, anti-short cycle delay, set back, offset, alarms and more. It includes an NTC (Negative Temperature Coefficient) thermistor temperature sensor, and can be used with certain other NTC or PTC (Positive Temperature Coefficient) thermistors that meet the specified resistance vs. temperature specifications. See the tables on page 7.

The control can fit many applications, which range from refrigeration to heating due to the wide temperature range of the control stated above. Typical applications include walk-in freezers, beverage coolers, supermarket display cases for flowers, produce, meats, convenience store refrigerated cases, food warmers, boiler control, and certain industrial applications.



## PRECAUTIONS

**⚠ WARNING**

- Failure to read and follow all instructions carefully before installing or operating this control could cause personal injury and/or property damage.
- To prevent electrical shock, personal injury and/or equipment damage, disconnect electric power to system at main fuse or circuit breaker box prior to installation or service.
- To prevent scald injury, do not use this control to heat water for bathing, washing, hot tub or similar applications.
- Where failure of this control may result in personal injury and/or property damage, additional alarms or limit controls must be installed.
- This control is a temperature control and is not to be used as a temperature limit control.

### CONTENTS

|                         |   |
|-------------------------|---|
| Basic Description ..... | 1 |
| Precautions .....       | 1 |
| Installation .....      | 2 |
| Wiring .....            | 3 |
| User Menu .....         | 4 |
| Operation .....         | 5 |
| Specifications .....    | 7 |
| Troubleshooting .....   | 8 |

### 16E09-101 Optional Accessories / Service Items:

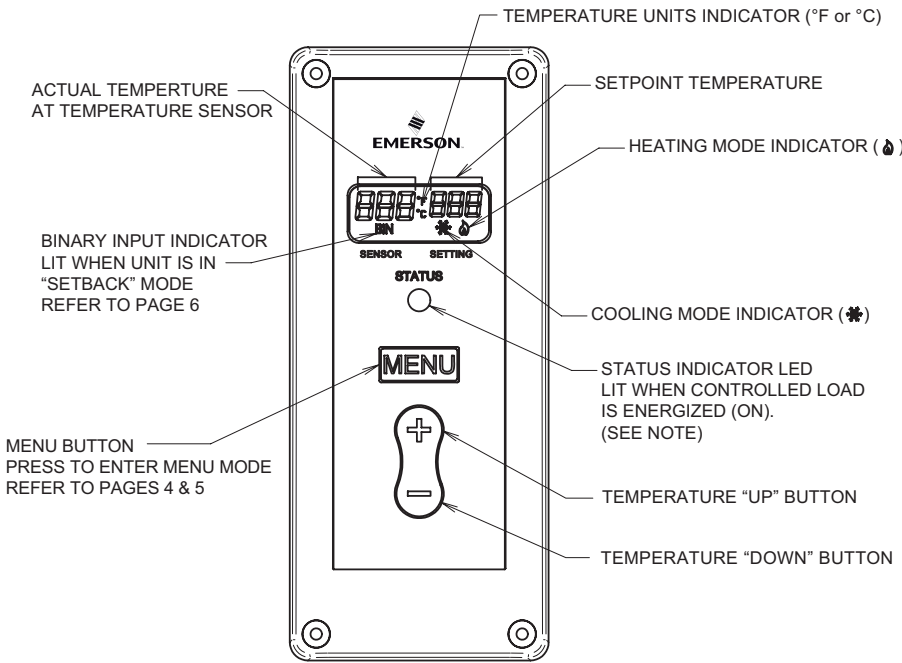
|  |           |
|--|-----------|
| Immersion Well .....                     | F89-0286  |
| Replacement 7.5' NTC Remote Sensor ..... | F136-0114 |
| Well Heat Transfer Compound .....        | F145-0163 |

# INSTALLATION

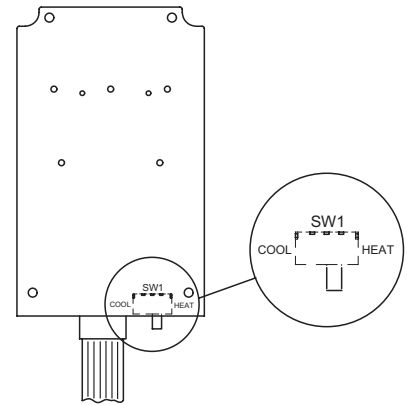
- ⚠ To prevent electrical shock and/or equipment damage, disconnect electric power to system at main fuse or circuit breaker box prior to installation or service.**
- ⚠ Where failure of this control may result in personal injury and/or property damage, additional alarms or limit controls must be installed.**
- ⚠ This control is a temperature control and is not to be used as a temperature limit control.**

The control has a user selection for changing the setpoint to be either the Cut In or the Cut Out setting. The user must be careful to understand how this effects the "range" in which the control will operate when the differential value is entered. If entered values are incorrect, the control could operate outside the user's intended settings due to set-up error. See section titled "Operation".

**Fig. 1 Control Front View and Description**



**Circuit Board Inside Cover**



Switch SW1 must be set for system mode as shown:

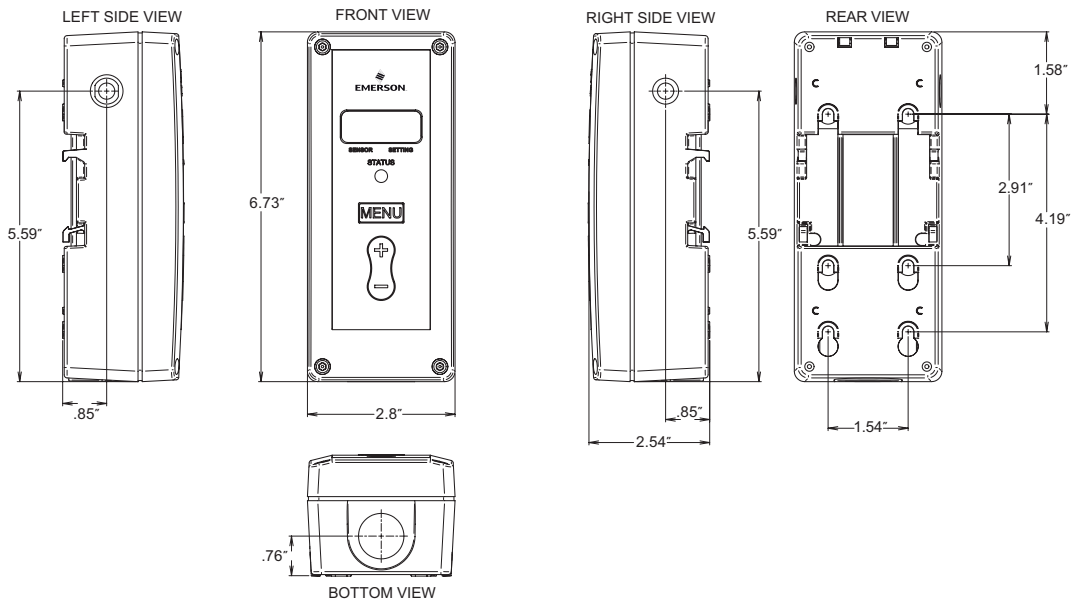
|               | SW1  |
|---------------|------|
| Refrigeration | Cool |
| Heating       | Heat |

**NOTE:**

**Green Status Indicator LED and display backlight operation**

It may be observed from time to time that the green status indicator LED and display back-light will briefly turn off during a call for heating or cooling. During this time, the control is performing a self-check lasting up to 15 seconds. This is normal operation of the control and the load power will be maintained

**Fig. 2 Control Dimensions and Mounting Information**



# WIRING

## Wiring Instruction Notes

### Switch Settings

Switch SW2 must be set for applications as shown:

|                                   | SW2    |
|-----------------------------------|--------|
| Line Voltage (Power Stealing)     | PS     |
| Line Voltage (Non Power Stealing) | Non PS |
| 24 VAC (Non Power Stealing)       | Non PS |

### Power Stealing

Power Stealing is an electronic design within the control that can eliminate the need to connect a neutral line to power the control. The control receives power from the unit it is controlling. Power Stealing saves time and money by often eliminating the labor to run a neutral wire to the control for power. See compatibility chart below for certain limitations.

**Power Stealing Compatibility Chart**

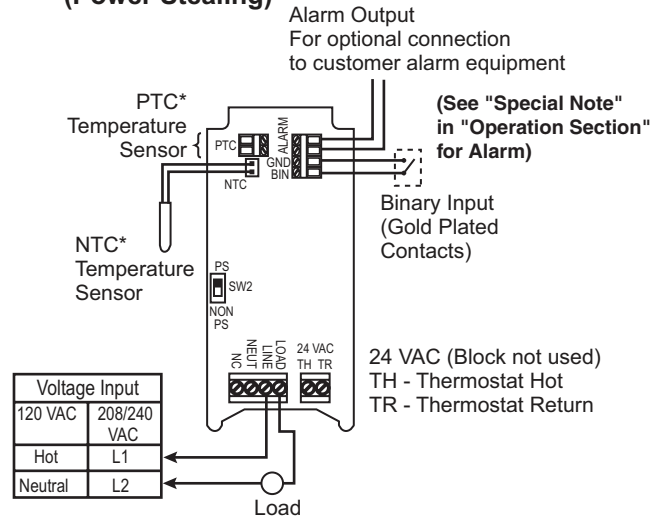
| Application   | Power Stealing | Non-Power Stealing |
|---|----------------|--------------------|
| Line Voltage, replacing existing control that has a common wire   | Yes            | Yes                |
| Line Voltage, with load greater than 2.5 amps, without Defrost timer or other power interruption circuit, with or without alarm | Yes            | Yes                |
| Line Voltage, with load greater than 2.5 amps, with Defrost timer or other power interruption circuit, no alarm                 | See Note 1     | Yes                |
| Line Voltage with load greater than 2.5 amps, with Defrost timer or other power Interruption circuit, with alarm                | No             | Yes                |
| Line Voltage with load less than 2.5 amps   | No             | Yes                |
| 24 VAC Application  | No             | Yes                |

**NOTE 1:** During defrost or time when load circuit is broke, display will be blank because power has been interrupted to the control. All menu settings and setpoint will be restored when power is returned.

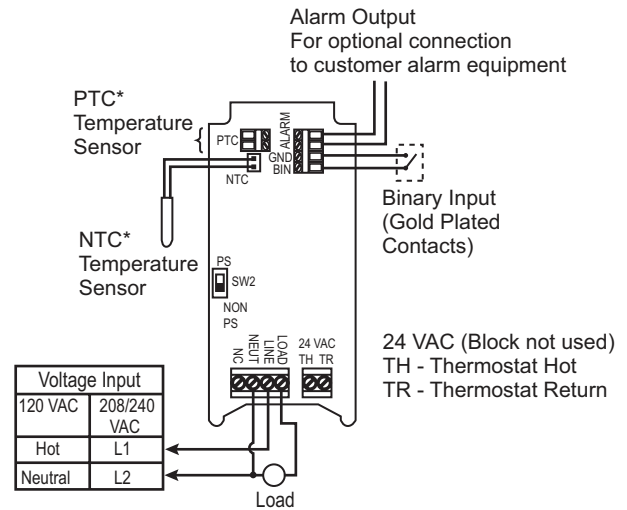
\* NTC – Negative Temperature Coefficient  
PTC – Positive Temperature Coefficient

**NOTE:** Only one sensor (PTC or NTC) may be connected. Sensor must meet specific temperature vs. resistance specifications.

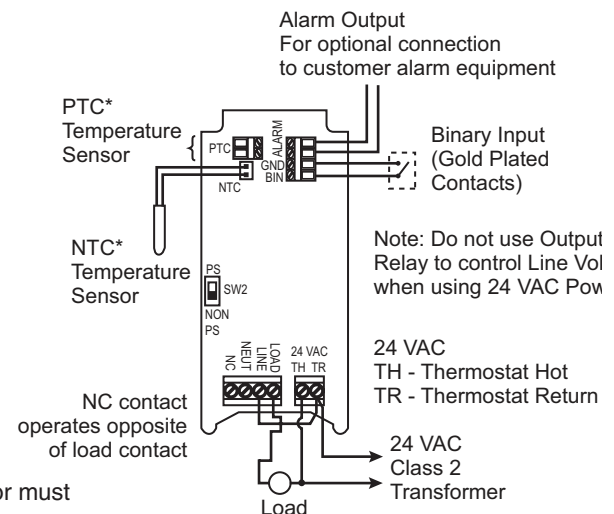
**Fig. 3 Line Voltage Application (Power Stealing)**



**Fig. 4 Line Voltage Application (Non-Power Stealing)**


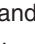


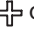

**Fig. 5 24 VAC Applications (Non-Power Stealing)**



# USER MENU

## USER MENU OPERATION SETTINGS:

The control has user Menu settings that will determine how the control operates. The unit is shipped with factory default settings. The user must change any of the settings as required for the application. To reset all settings to factory defaults, press and hold all 3 buttons simultaneously (MENU, , and ) for approximately 5 seconds.

To view Menu items, press and hold MENU for 5 seconds. The unit will display the first Menu item on the left side of the display. The right side of the display indicates the Menu item settings. To change the setting, momentarily press the  or  key.


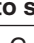
A momentary press of the MENU key advances the display to the next Menu item, and continues, till the last menu item is displayed. Pressing the key one more time with the **last** menu item, (aL) displayed returns the control to the operating mode.

Each press of MENU results in forward movement to the next Menu item. If you need to change an item “passed”, you must repeatedly press MENU, return to the operating mode, then press and hold MENU for 5 seconds to re-enter the Menu mode. Then repeatedly, momentarily press MENU until the desired Menu item is again displayed.

To store any changes made to any Menu items, the Menu must be exited by pressing MENU when the last item is displayed. If no buttons are pressed for ten minutes while in the menu, the control will return to operating mode and any changes that were made will be lost.

The following table shows the menu items, default settings and optional settings.

**NOTE:** The Heat/ Cool switch (SW1) MUST be in the proper position BEFORE setting options.

| Menu Item | Description                              | Factory Default        | Options Press  or  to select | Comments  |
|-----------|--|------------------------|--|---|
| CF        | Temperature Scale                        | F                      | C or F   | Selects temperature display in Fahrenheit or Celsius  |
| dFF       | Differential                             | 5                      | 1 to 30  | Selects the range between Cut In and Cut Out.   |
| SP        | Set Point Mode<br>Cool<br>Heat           | CI<br>CO               | CO or CI<br>CI or CO   | Selects how the set point temperature will operate the load terminal. CI indicates the setpoint temperature will be the Cut In temperature. CO indicates the temperature will be the Cut Out temperature. See Operation section.  |
| SOF       | Sensor Operation Failure<br>Cool<br>Heat | 1<br>0                 | 0 or 1<br>None   | Cooling - Selects the operation of the Control Load relay in the event of a sensor failure in Cool mode. 1 (default) will cause the load contacts of the relay to close and remain closed if the sensor either opens or shorts. 0 causes the load contacts of the relay to open and remain open.<br>Heating has no optional selection. Sensor failure in Heating will result in the relay contacts opening.   |
| dL        | Display Light                            | Off                    | On or Off  | Selects the LCD display light Off or On. With this selected Off, the display light will illuminate any time a keypad button is pressed to provide better viewing in low lighting conditions, and go off after 10 seconds. If On is selected, the display light will be On continuously.   |
| ASd       | Anti Short-Cycle Delay                   | Cool<br>1<br>Heat<br>0 | 0 to 12  | Selects the minimum time (in minutes) that the load contacts will remain open after a cycle before closing again. This will prevent the compressor or other load from being damaged by cycling too soon. A blinking Snowflake or Flame icon indicates that the control has a demand to energize the load, but is waiting for the delay time to elapse. A setting of 0 indicates no time and the feature is disabled. SW1 must be set to the proper position before checking this setting. |
| LP        | Lock Front Panel Keypad                  | Off                    | On or Off  | When selected Off, the keypad can be used as normal. When selected On, prevents unauthorized access to the control settings by locking out all keys. To unlock the control when it is locked, press and hold the Menu key for 5 seconds.  |
| OFS       | Ambient Temperature Offset               | 0                      | -4, -3, -2, -1, 0,<br>1, 2, 3, 4   | This control is calibrated at the factory, but the “sensed” temperature may read different because of mounting/installation, or other factors. This item allows the displayed temperature to be shifted the number of degrees set to compensate for this difference   |

# USER MENU

| Menu Item | Description  | Factory Default | Options Press $\oplus$ or $\ominus$ to select | Comments  |
|-----------|--------------|-----------------|---|---|
| bln       | Binary Input | Off             | On or Off                                     | The default setting of Off will have no affect on the operation of the thermostat. When set to On, it allows an external binary input (switch or relay) to start a temperature set back. See Set Back (Sb). |
| Sb        | Set Back     | 0               | 0 to 50                                       | Selects the number of degrees the thermostat will change the setpoint temperature when the external binary input signal is received. 0 will cause no temperature change to occur. See Binary Input (bin).   |
| AL        | Alarm        | 0               | 0 to 99                                       | Selects the time delay (in minutes) before a Temperature Out of Range alarm output is sent. A setting of 0 disables the alarm relay.  |

## OPERATION

**!** This control is a temperature control and is not to be used as a temperature limit control.

**!** To prevent scald injury, do not use this control to heat water for bathing, washing, hot tub or similar applications.

The factory default setpoint for this control is 45°F (7°C) for Cool and 120°F (49°C) for Heat. Setpoint temperature can be adjusted using the  $\oplus$  or  $\ominus$  keys. A power loss does not lose the settings. All menu item selections and setpoint setting are stored in a permanent memory.

The user determines the temperature operating range. To determine the temperature range, the user must select the Set Point (SP) as the Cut Out or Cut In temperature, Differential (dFF) and enter a set point temperature. Cut out is when the load is turned off and cut in is when the load is turned on.

**NOTE:** The Heat/ Cool switch (SW1) MUST be in the proper position BEFORE setting options.

### COOL/REFRIGERATION

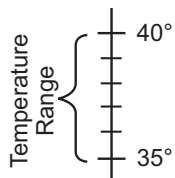
To use as a Cooling control, SW1 must be set to Cool. The snowflake (❄) icon will display.

If control is in Cool mode, and Set Point is selected as the Cut In:

$$\text{Temperature Operating Range} = \text{Setpoint Temperature} - \text{Differential (minus)}$$

Example:

SW1 = Cool  
Set Point (SP) = Cut In  
Differential = 5  
Setpoint temperature = 40°

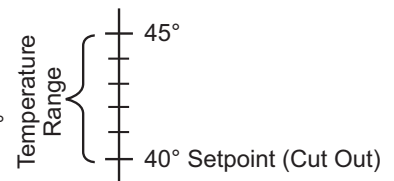


If control is in Cool mode, and Set Point is selected as the Cut Out:

$$\text{Temperature Operating Range} = \text{Setpoint Temperature} + \text{Differential (plus)}$$

Example:

SW1 = Cool  
Set Point (SP) = Cut Out  
Differential = 5  
Setpoint temperature = 40°



### HEAT

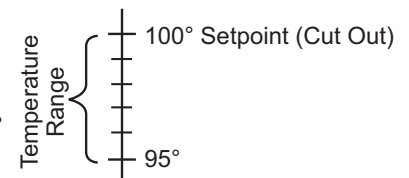
To use as a Heating control, SW1 must be set to Heat. The flame (🔥) icon will display.

If control is in Heat mode, and Set Point is selected as the Cut Out:

$$\text{Temperature Operating Range} = \text{Setpoint Temperature} - \text{Differential (minus)}$$

Example:

SW1 = Heat  
Set Point (SP) = Cut Out  
Differential = 5  
Setpoint temperature = 100°

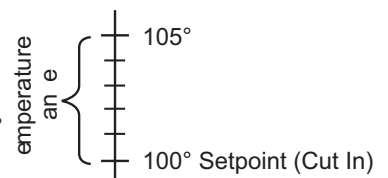


If control is in Heat mode, and Set Point is selected as the Cut In:

$$\text{Temperature Operating Range} = \text{Setpoint Temperature} + \text{Differential (plus)}$$

Example:

SW1 = Heat  
Set Point (SP) = Cut In  
Differential = 5  
Setpoint temperature = 100°



# OPERATION

## Lock Panel (LP)

The keypad can be locked to prevent unwanted tampering with the control settings. In the User Menu, change the menu item LP selection to On. When the menu is exited and settings are stored, the  $\uparrow$  or  $\leftarrow$ , and **MENU** keys will be disabled from normal use.

To unlock the keypad, press and hold **MENU** for 5 seconds. The display will change to show LP On. Momentarily press  $\uparrow$  or  $\leftarrow$  to change to Off and then momentarily press **MENU**. The control will return to normal operation and the keypad will be unlocked.

## Binary Input (bln) and Set Back (Sb)

Binary Input is an option to allow the setpoint temperature to set back to conserve energy or for other reasons as determined by the user. Set Back determines the number of degrees the setpoint temperature will be changed.

An external switch or N.O. relay can be connected to the BIN and GND terminals of the control. With bln set to On, when the switch is closed, the control will change the setpoint temperature by the number of degrees set in Sb. In Heat mode, setpoint temperature will change lower or cooler. In Cool mode, setpoint temperature will change higher or warmer.

During the time that the switch is closed, bln will appear in the lower left corner of the display. If an alarm is connected be sure that the alarm delay time is set long enough to allow for the temperature change to avoid a “false” alarm.

## Alarm (AL)

**SPECIAL NOTE**

### Using the Alarm Output and power stealing in combination

– When using power stealing mode and the alarm output, it is important for the installer to review the wiring circuit of the installation to insure no device is present that could interrupt electrical power to the temperature control. Such a device could be a defrost timer, as one example, that may be used in some refrigeration applications.

If a device is in the system wiring that can periodically disrupt power to the load and the temperature control, the power stealing mode of the control cannot be used. A neutral wire must be connected to the control and select the non power stealing mode for the control. This keeps power to the control during power interruptions to the load and avoids a “false” alarm output.

This control has an alarm relay that will provide an output to alert of a malfunction. The alarm relay output must be connected to an external light, audible alarm or other device as needed by the user. If AL is set to 0, the alarm relay will not provide any alarm output. If AL is set to a value greater than 0, the alarm relay output provides indication of three error conditions: Temperature Out of Range, Power Loss and Sensor Operation Failure. Although AL must be set to a value greater than 0 for any alarm output to be provided, the value selected is the time delay, in minutes, before a Temperature Out of Range alarm is set. The alarm time delay does not apply to Power Loss or Sensor Operation Failure.

**Temperature out of range** – If the temperature is more than 5° from the setpoint, continuously for the length of time set in AL, the alarm relay output will close. The delay should be set to allow for conditions that will cause the temperature to vary, such as defrost cycle, opening door for stock removal or replacement or Set Back changes. When setting the AL time, consideration should be given to these events to prevent a false alarm.

If the control set back feature is used to change the setpoint, the delay period set in AL should consider the time it takes for the system to reach the set back temperature to avoid a false alarm.

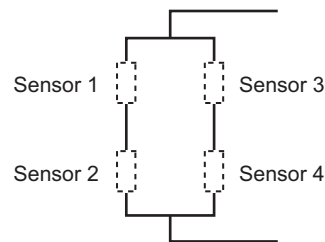
**Power Loss** – If the temperature control experiences an input power failure, the control will close the alarm relay before total power of the control is lost. The delay time is not used in this event, and the alarm relay will close within seconds of a power failure. In addition, the load relay contact change state per the Sensor Operation Failure (SOF) setting.

When power returns, the alarm contacts will open. The load relay will remain in the SOF position the length of time set in Anti Short-Cycle Delay (ASd) after power resumption. The display will blink the flame or snowflake icon for this time to indicate the load is “locked” out. This is to help protect the user’s equipment from damage by short cycle switching.

**Sensor Operation Failure (SOF)** – If in operation, the sensor wiring should become open or shorted, the temperature control will begin blinking SOF with SH for shorted or SO for sensor open. However, the control will wait approximately 1 minute before closing the alarm output relay - indicating sensor operation failure. If during the 1 minute, the sensor “resumes” normal operation, the time is reset and the control returns to normal display. The load relay will operate as selected in sensor operation failure (SOF).

## Multiple Sensors

The 16E09 is normally operated with one sensor. If an average temperature of an area is required, 4 sensors may be used and wired in the method shown below. If 4 sensors are used, they must all be of the same model.



**NOTE:** When using multiple sensors, 4 sensors must be used. The control will not operate with 2 or 3 sensors.

# SPECIFICATIONS

## Load Output Relay:

|                              | Ratings (Maximum): |        |        |
|------------------------------|--------------------|--------|--------|
|                              | 120VAC             | 208VAC | 240VAC |
| Full Load Amps NC & Load     | 16 A               | 9.2 A  | 8 A    |
| Locked Rotor Amps NC & Load  | 96 A               | 55.2 A | 48 A   |
| Non-Inductive Amps NC & Load | 16 A               | 16 A   | 16 A   |
| Horsepower NC & Load         | 1 hp               | 1 hp   | 1 hp   |

24 VAC NC & Load 100 VA, 30 VAC Max (Class 2)

Pilot Duty NC & Load 125 VA, 24 to 240 VAC

- Minimum Load Rating: 1 Amp @ 24 VAC
- Note: the above minimum current/voltage is specified to assure proper operation.

**NOTE:** For use on single phase circuits only.

## Alarm Relay Ratings (Maximum):

N.O. contact: 1 Amp, 5 to 24 V, AC or DC

## Temperature Probes:

### NTC

The control is shipped with an NTC (Negative Temperature Coefficient) sensor, with a cable length of 7½ feet. Cable length can be extended up to 400 feet by appropriately splicing and adding additional cable (22 AWG or larger diameter)

## Operating Ambient Ratings (Control Enclosure):

Operating Temperature: -29°F to 140°F (-34° to 60°C)

## Storage Shipping Ambient Ratings:

Storage Temperature: -40°F to 185°F (-40° to 85°C)

Operating Humidity: 0 to 95% Relative Humidity, Non-Condensing

Maximum Dew Point: 85°F (29°C)

## Temperature Set-Point Range:

Set-Point Range: -40° to 220°F (-40° to 104°C)

Differential Range: 1 to 30 (Degrees F or Degrees C)

## Case:

NEMA 1 Enclosure, Flammability Rating: UL94V0

as needed – polarity is not important. When extending cable length, verify temperature accuracy and use the menu Ambient Temperature Offset (OFS) settings to compensate accordingly if required.

### NTC TEMPERATURE VERSUS RESISTANCE TABLES

| Temperature (°F) | Temperature (°C) | Resistance (KΩ) |
|------------------|------------------|-----------------|
| -40              | -40              | 328.29          |
| -31              | -35              | 236.83          |
| -22              | -30              | 172.90          |
| -13              | -25              | 127.65          |
| -4               | -20              | 95.23           |
| 5                | -15              | 71.74           |
| 14               | -10              | 54.56           |
| 23               | -5               | 41.85           |
| 32               | 0                | 32.37           |
| 41               | 5                | 25.23           |

| Temperature (°F) | Temperature (°C) | Resistance (KΩ) |
|------------------|------------------|-----------------|
| 50               | 10               | 19.82           |
| 59               | 15               | 15.67           |
| 68               | 20               | 12.48           |
| 77               | 25               | 10.00           |
| 86               | 30               | 8.07            |
| 95               | 35               | 6.55            |
| 104              | 40               | 5.34            |
| 113              | 45               | 4.38            |
| 122              | 50               | 3.61            |
| 131              | 55               | 2.99            |

| Temperature (°F) | Temperature (°C) | Resistance (KΩ) |
|------------------|------------------|-----------------|
| 140              | 60               | 2.49            |
| 149              | 65               | 2.09            |
| 158              | 70               | 1.76            |
| 167              | 75               | 1.48            |
| 176              | 80               | 1.26            |
| 185              | 85               | 1.07            |
| 194              | 90               | 0.92            |
| 203              | 95               | 0.79            |
| 212              | 100              | 0.68            |
| 221              | 105              | 0.59            |

### PTC

The control may be connected to an existing PTC (Positive Temperature Coefficient) sensor. Make sure the PTC sensor meets the specifications tables below. Failure to do so will result in temperature inaccuracies. The PTC input may not be

extended more than 50 feet, and the wire gauge should be 18 AWG wire or larger diameter. Be sure the probe attached matches the resistance vs. temperature tables or temperature inaccuracies may occur.

### PTC TEMPERATURE VERSUS RESISTANCE TABLES

| Temperature (°F) | Temperature (°C) | Resistance (KΩ) |
|------------------|------------------|-----------------|
| -40              | -40              | 613             |
| -31              | -35              | 640             |
| -22              | -30              | 668             |
| -13              | -25              | 697             |
| -4               | -20              | 727             |
| 5                | -15              | 758             |
| 14               | -10              | 789             |
| 23               | -5               | 822             |
| 32               | 0                | 855             |
| 41               | 5                | 889             |

| Temperature (°F) | Temperature (°C) | Resistance (KΩ) |
|------------------|------------------|-----------------|
| 50               | 10               | 924             |
| 59               | 15               | 960             |
| 68               | 20               | 997             |
| 77               | 25               | 1035            |
| 86               | 30               | 1074            |
| 95               | 35               | 1113            |
| 104              | 40               | 1153            |
| 113              | 45               | 1194            |
| 122              | 50               | 1236            |
| 131              | 55               | 1279            |

| Temperature (°F) | Temperature (°C) | Resistance (KΩ) |
|------------------|------------------|-----------------|
| 140              | 60               | 1323            |
| 149              | 65               | 1368            |
| 158              | 70               | 1413            |
| 167              | 75               | 1459            |
| 176              | 80               | 1506            |
| 185              | 85               | 1554            |
| 194              | 90               | 1602            |
| 203              | 95               | 1652            |
| 212              | 100              | 1702            |
| 221              | 105              | 1753            |

## TROUBLESHOOTING

### **LCD display, display back-light and green status indicator LED turn off in Power Stealing mode:**

This "off" condition is normal for the control in power stealing mode when wired with a defrost timer or other device that interrupts electrical power to the control.

No control settings will be lost during this time, however, the installer must ensure that applications requiring power stealing are suitable for the control to be off during these periods.

Please note: if the built-in alarm feature of the control is to be used on systems that may interrupt power to the control, the control must be wired with a neutral wire and set in non-power stealing mode. This will keep the control continuously powered unless there is an actual power interruption or loss. In this case, the control will be able to signal an alarm for system power loss.

### **Display indicates "CaL" on power up.**

Control was not calibrated. Return control for replacement.

### **Unit does not turn on, (LCD does not display anything):**

- Check that wiring is correct.
- Make sure power is turned on.
- Check that wiring is under terminal blocks correctly.
- Make sure both switches inside control are set to proper position.
- If in Power Steal mode,
  - Make sure the load draws a minimum of 2.5 amp AC. If not, wire per the Non-Power Stealing diagram.
  - Make sure nothing "breaks/opens the load line, such as a defrost timer or any other device, with the alarm feature enabled. This would cause a false alarm. If the alarm function is enabled, wire per the Non-Power Stealing diagram.

### **Temperature differential is wider than set:**

- Temperature change of customer's unit is fast, and the Anti Short Cycle delay setting may be overriding the "call" to activate the heat or cool. Solution – lower Anti Short Cycle delay.

### **Installation and Power Up:**

False alarm sounds, temperature has not yet reached setpoint setting. CUSTOMER must disable alarm (AL = 0), until setpoint temperature is reached, then set alarm delay time.

### **Customer Changes Setpoint Temperature:**

False alarm sounds. CUSTOMER must disable alarm (AL = 0), while unit is adjusting to new temperature. CUSTOMER must then set the alarm delay time when temperature is reached.

### **Bin/Set Back**

False alarm sounds. CUSTOMER must set the delay time with sufficient delay time to assure the Set Back temperature is reached before the alarm delay time has expired.

Note: If the Set Back temperature cannot be reached within 99 minutes (the maximum Alarm delay time), change the Set Back value to a lower number of degrees. If a lower set back can not be used, you may not be able to use the alarm feature.

### **Alarm Sounds, Reason Unknown:**

CUSTOMER should make sure the Alarm (AL) delay time is great enough to cover other conditions when the unit temperature may not be able to stay within 5 degrees.

- Loading or unloading of stock and the doors are open. (Add sufficient delay time to the alarm delay).
- Power is lost to the control if the line is broken/open by a defrost timer or other device. (Wire control per the Non Power Stealing line voltage schematic and connect/add a neutral line connection).

**TECH SUPPORT HELP LINE: 1-888-725-9797**

White-Rodgers is a division of Emerson Electric Co.

The Emerson logo is a trademark and service mark of Emerson Electric Co.

White  
Rodgers™

[www.white-rodgers.com](http://www.white-rodgers.com)  
[www.emerson.com](http://www.emerson.com)

  
**EMERSON**  
Climate Technologies



