

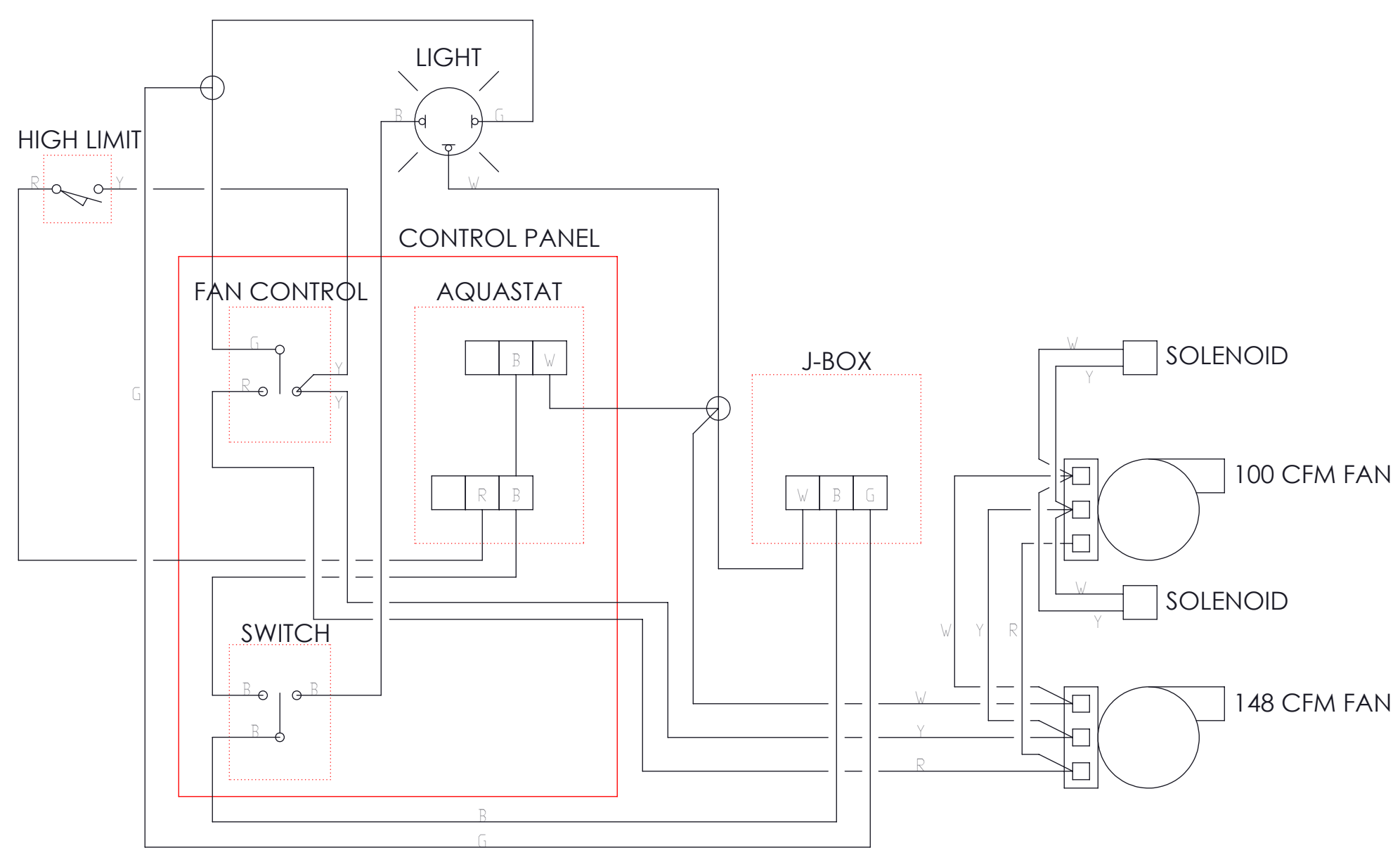
8 7 6 5 4 3 2 1

D

C

B

A



GREENTECH
 MANUFACTURING INC.
 www.green-techmfg.com
 P:866.361.7355 F:218.283.5786

PROPRIETARY AND CONFIDENTIAL THE INFORMATION CONTAINED IN THIS DRAWING IS THE SOLE PROPERTY OF GREENTECH MANUFACTURING INC. ANY REPRODUCTION IN PART OR AS A WHOLE WITHOUT THE WRITTEN PERMISSION OF GREENTECH MANUFACTURING INC. IS PROHIBITED.	UNLESS OTHERWISE SPECIFIED:	DRAWN	JEL		TITLE: RS7200 - RS7400 ELECTRICAL SCHEMATIC
	DIMENSIONS ARE IN INCHES	CHECKED			
	TOLERANCES: FRACTIONAL ±	ENG APPR.			MATERIAL
	ANGULAR: MACH ± BEND ±	MFG APPR.			SIZE
DO NOT SCALE DRAWING	Q.A.			DWG. NO.	REV
				B	1

8 7 6 5 4 3 2 1